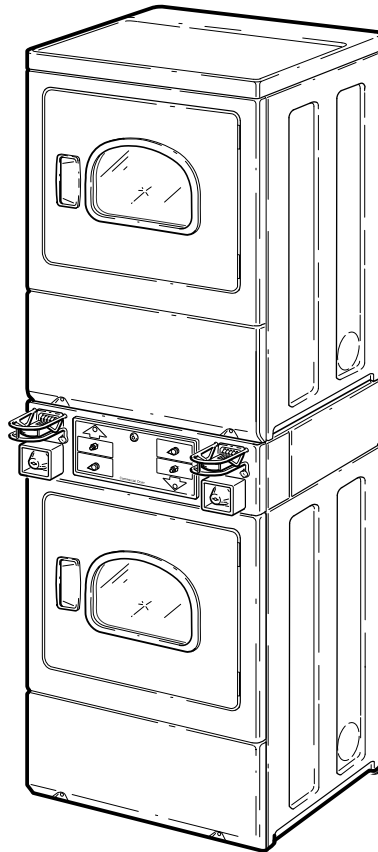


Commercial Dryers

Metered and Nonmetered
Refer to Page 5 for Model Numbers



D009C_512026

Table of Contents

Title	Page
Parts Ordering Information.....	3
Nameplate Location	3
Model Identification	5
Control Panel and Controls - Nonmetered.....	6
Control and Control Panel - Coin Slide Models	8
Control Panel and Controls - Coin Slide Ready Models	10
Control Panel and Controls - Coin Drop and Card Models (Drawing 1 of 2).....	12
Control Panel and Controls - Coin Drop and Card Models (Drawing 2 of 2).....	14
Non-Electronic Coin Drop - Coin Drop Models	16
Electronic Coin Drop - Coin Drop Models	18
Control Cabinet Controls - Coin Drop Models.....	20
Card Reader - Card Reader Ready and Installed Models	22
Integrated Card Reader Installed and Ready - All Netmaster Integrated Card Reader Models	24
Control Cabinet - Non-Vend Models	26
Accumulator - Coin Slide Ready Models	28
Loading Door without Window	30
Loading Door with Window (Drawing 1 of 2).....	32
Loading Door with Window (Drawing 2 of 2).....	34
Access Panel, Front Panel and Seal	36
Front Panel Assembly.....	38
Motor, Exhaust Fan and Belt	40
Thermostat and Thermistor.....	42
Front Bulkhead, Airduct, Felt Seal and Cylinder	44
Rear Bulkhead, Felt Seal, Cylinder Roller and Terminal Block.....	46
Heater Duct and Element Assembly - Electric Model Dryers.....	48
Heater Duct Assembly - Gas Model Dryers	50
Gas Valve, Igniter and Gas Conversion Kits.....	52
Gas Valve, Igniter, Ignition Control and Gas Conversion Kits.....	54
Cabinet and Exhaust Duct	56
Base.....	58
Cabinet Top	60
Power Cord.....	62
Terminal Block and Terminals	64
Terminals	66
Terminals and Terminal Extractor Tools	68
Wire Harnesses and Wires - Nonmetered and Coin Slide Models (Drawing 1 of 4).....	70
Wire Harnesses and Wires - Nonmetered and Coin Slide Models (Drawing 2 of 4).....	72
Wire Harnesses and Wires - Nonmetered and Coin Slide Models (Drawing 3 of 4).....	74
Wire Harnesses and Wires - Nonmetered and Coin Slide Models (Drawing 4 of 4).....	76
Wire Harnesses and Wires - Coin Drop and Card Reader Models.....	78
Wire Harnesses and Wires	80
Wire Harnesses and Wires - Coin Drop Card Reader Models Through Serial No. 0904.....	82
Wire Harnesses and Wires - Coin Drop, Card Reader and OPL Models Starting Serial No. 0904	84
Wire Harnesses and Wires - Coin Drop, Card Reader and OPL Models Starting Serial No. 0904 and Continuing Through Serial No. 1303025314.....	86

Wire Harnesses and Wires - Coin Drop, Card Reader and OPL Models Starting Serial No. 1303025315 88
Parts Index 91

Parts Ordering Information

If literature or replacement parts are required, contact the source from whom the machine was purchased or contact Alliance Laundry Systems at (920) 748-3950 for the name and address of the nearest authorized parts distributor.

For technical assistance, call either of the numbers listed below:

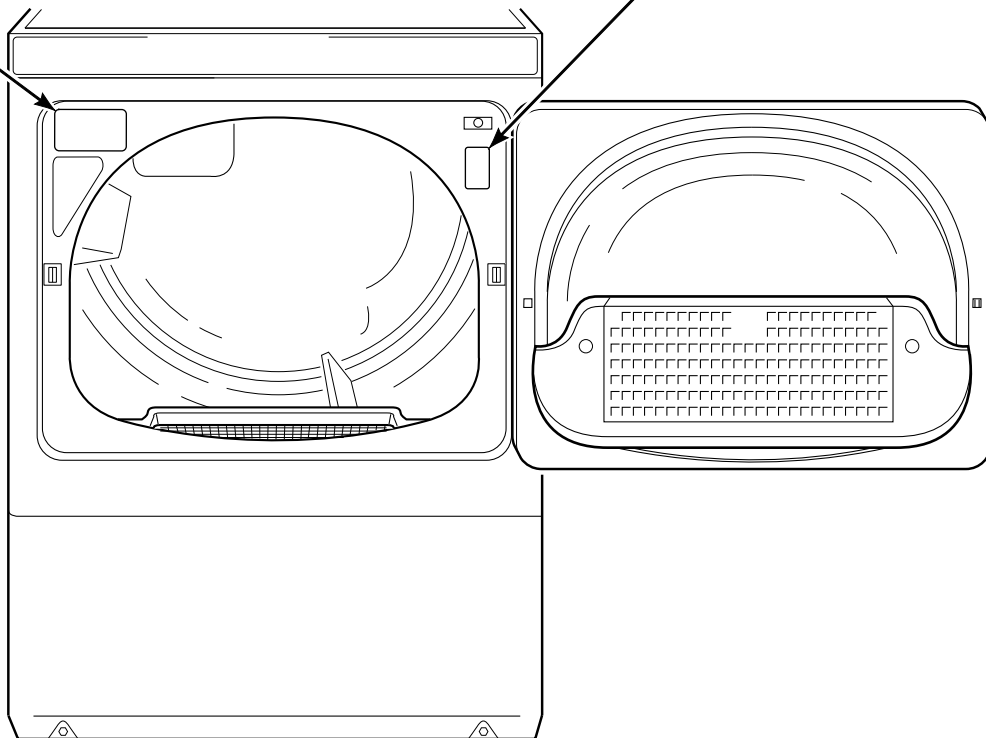
(920) 748-3121 Ripon, Wisconsin
+32 56 41 20 54 Wevelgem, Belgium

Nameplate Location

When calling or writing about your product, be sure to mention model and serial numbers. Model and serial numbers are located on nameplate(s) as shown.

NAMEPLATE
(Models starting Serial No. 1206025810)

NAMEPLATE
(Models through Serial No. 1206025809)



DRY2283P_512026

Model Identification

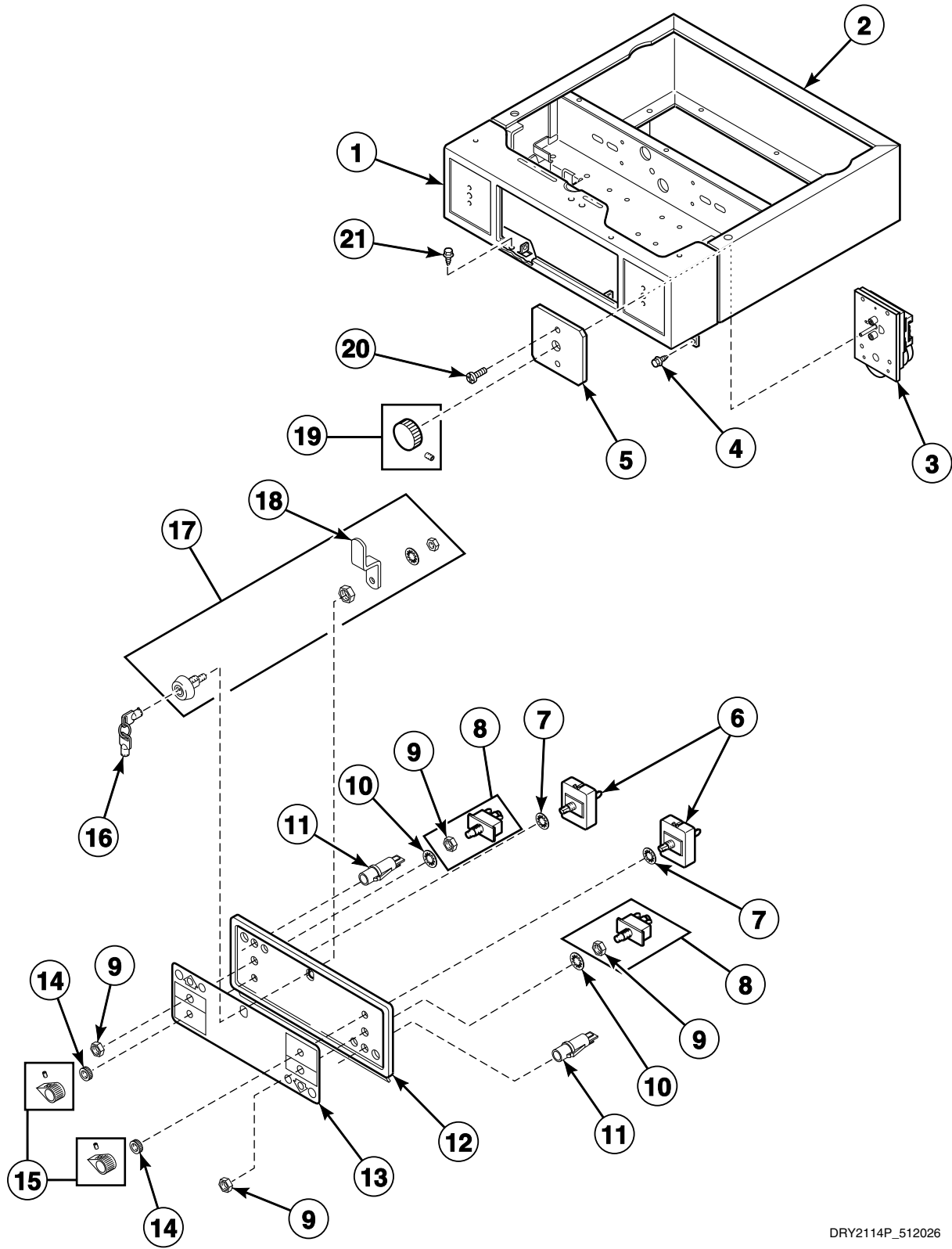
Information in this manual is applicable to these dryer models:

HSE117*F2802	HSG119*F0902	SSE007*F3000	SSG109*M3013
HSE117*F2902	HSG519*F0902	SSE007*F4350	SSG119*F3000
HSE517*F2802	HSG719*F0902	SSE107*G3018	SSG119*F3058
HSE517*F2902	HSG919*F0902	SSE117*F3000	SSG119*F3060
HSE717*F2802	HSGB19*J0902	SSE117*F4350	SSG119*F5412
HSE717*F2902	HSGF19*J0902	SSE117*F5412	SSG119*F5480
HSE917*F2802	HSGR19*F0902	SSE117*G3018	SSG119*M3013
HSE917*F2902	HSGT19*F0902	SSE417*F3000	SSG419*F3000
HSEB17*J2802	HSGX19*F0902	SSE417*F4350	SSG419*F3058
HSEB17*J2902	HSGY19*F0902	SSE807*F3000	SSG909*M3013
HSEBXFGW131DW01	HSGZ19*F0902	SSE807*F4350	SSG919*F3028
HSEBXFGW171FW28	JSE807*F4350	SSE807*G3018	SSG919*F3060
HSEBXFGW541DW01	JSE907*F4350	SSE907*G3018	SSGF19*J3060
HSEF17*J2802	JSEBEFGW301EW01	SSE917*F3000	SSGX09*M3013
HSEF17*J2902	JSEBGFGW301EW01	SSE917*F4350	SSGX19*F3060
HSER17*F2802	JSG809*F3060	SSEA07*G3018	USE017*F5412
HSER17*F2902	JSG909*F3060	SSEBXFGW131DW01	USG019*F5412
HSET17*F2802	JSGBEFGW301EW01	SSEBXFGW541DW01	
HSET17*F2902	JSGBGFGW301EW01	SSEF17*J4350	
HSEX17*F2802	NSE817*F5422	SSEX07*G3018	
HSEX17*F2902	NSE917*F3022		
HSEY17*F2802	NSE917*F5422		
HSEY17*F2902	NSEBXFGW301NW22		
HSEY17*F99N2	NSG919*F3022		
HSEZ17*F2802	NSGBXFGW301NW22		
HSEZ17*F2902			

* Add Letter To Designate Color. L - Almond Q - Bisque W - White

Control Panel and Controls - Nonmetered

Models JSE807*F4350, JSG809*F3060, NSE817*F5422, SSE007*F3000, SSE007*F4350, SSE807*F3000, SSE807*F4350, SSE807*G3018, USE017*F5412 and USG019*F5412



DRY2114P_512026

Control Panel and Controls - Nonmetered

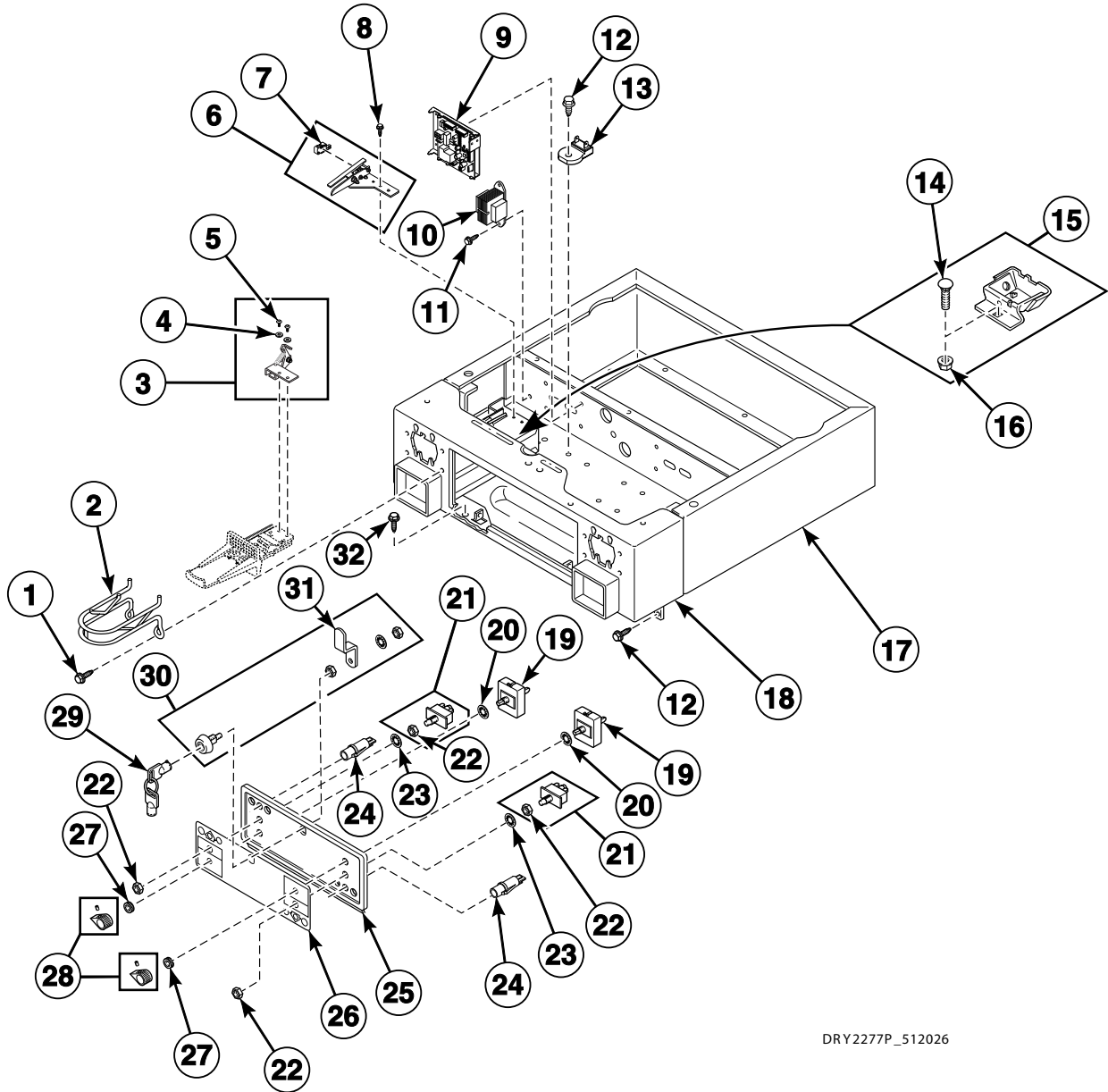
REF	PART NO.	DESCRIPTION	COMMENTS
1	500225WP	Security Cabinet Front	White
	500225LP	Security Cabinet Front	Almond
	500225QP	Security Cabinet Front	Bisque
2	505753WP	Wrapper and Channel Assembly	White
	N/A	Wrapper and Channel Assembly	Almond
	505753QP	Wrapper and Channel Assembly	Bisque
3	511985	Timer	240 Volt/60 Hertz; Models NSE817*F5422, USE017*F5412 and USG019*F5412
	510525P	Timer	240 Volt/50 Hertz; Models JSE807*F4350, JSG809*F3060, SSE007*F3000, SSE007*F4350, SSE807*F3000, SSE807*F4350 and SSE807*G3018
4	503688	Screw	
5	500814	Timer Overlay	
6	61512	Fabric Selector Switch	
7	91176	Washer	
8	55882	Switch Assembly	Includes item 9
9	52947	Nut	
10	25820	Washer	
11	32464	Light	120 Volt
	32519	Light	240 Volt
12	500228W	Control Panel and Bracket Assembly	White
	500228L	Control Panel and Bracket Assembly	Almond
	500228Q	Control Panel and Bracket Assembly	Bisque
13	504590	Graphic Overlay	Models SSE007*F3000 and SSE007*F4350
	502927	Overlay	Models USE017*F5412 and USG019*F5412
	512678	Overlay	Models JSE807*F4350 and JSG809*F3060
	512493	Overlay	Models SSE807*F3000, SSE807*F4350 and SSE807*G3018
	513147	Control Overlay	Model NSE817*F5422
14	24205	Nut	
15	39897	Switch Knob	
16	54612	Key	800
17	27260P	Lock Kit	Includes item 18
18	27261	Lock Cam	
19	54678	Timer Knob	
20	27328	Screw	
21	502431	Screw	

* Add Letter To Designate Color. L - Almond Q - Bisque W - White

N/A = Part no longer available

Control and Control Panel - Coin Slide Models

Models HSE917*F2802, HSE917*F2902, HSG919*F0902, JSE907*F4350,
JSG909*F3060, NSE917*F3022, NSE917*F5422, NSG919*F3022, SSE907*G3018,
SSE917*F3000, SSE917*F4350, SSG909*M3013, SSG919*F3028 and SSG919*F3060



DRY2277P_512026

Control and Control Panel - Coin Slide Models

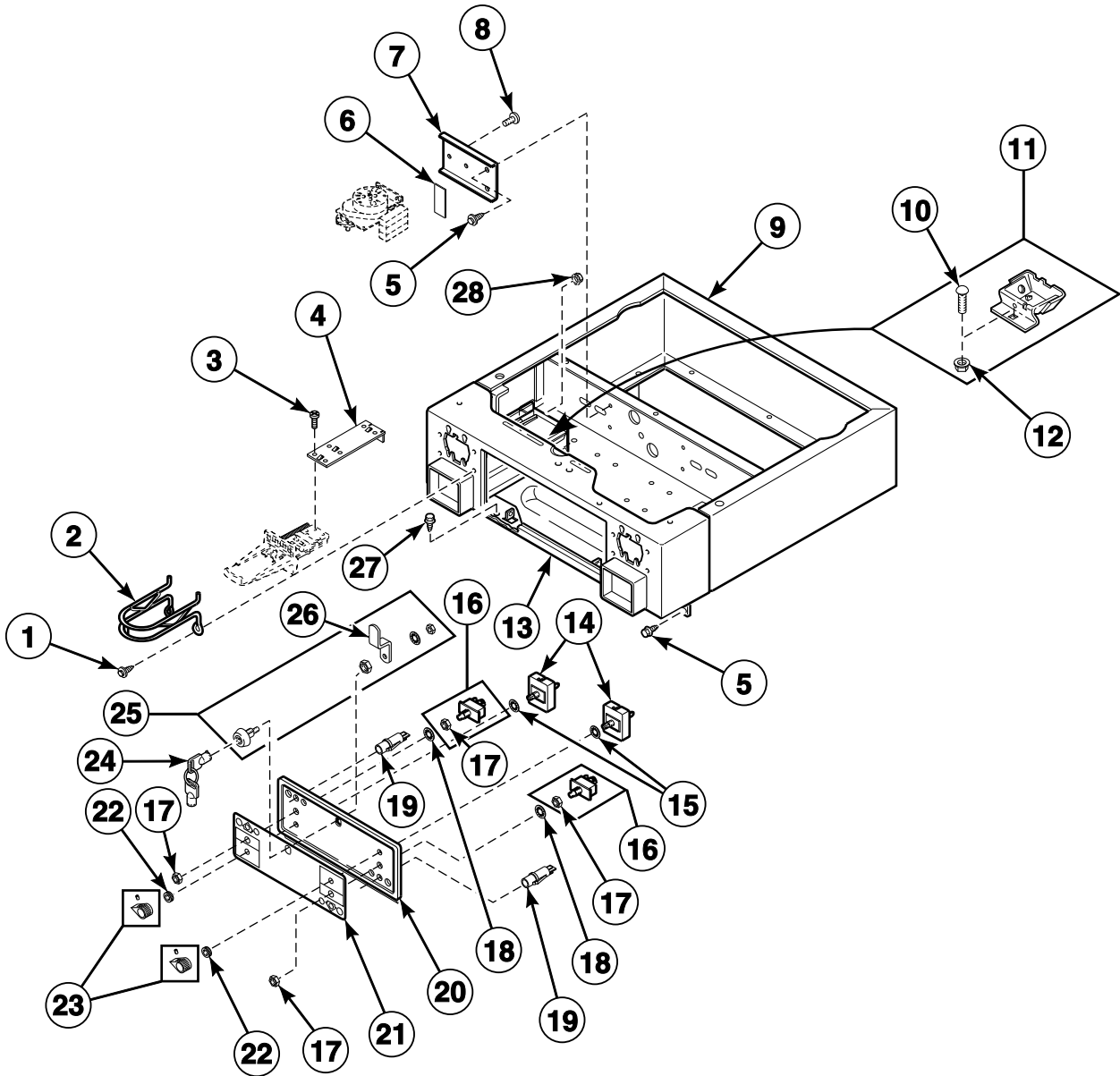
REF	PART NO.	DESCRIPTION	COMMENTS
1	33562	Screw	
2	58181	Coin Slide Guard	
3	201915	Slide Extension Kit	Includes items 4 and 5
4	03815	Washer	
5	27328	Screw	
6	201917P	Switch Mount Assembly	Includes item 7
7	201952	Switch	
8	51782	Screw	
9	513139P	Control Assembly	
10	201587P	Transformer	Models HSE917*F2802, HSE917*F2902 and HSG919*F0902
	201616	Transformer	All other models
11	503661	Screw	
12	503688	Screw	
13	210100	Resistor	All models except HSE917*F2802, HSE917*F2902 and HSG919*F0902
14	29651	Bolt	
15	523P3	Coin Funnel Kit	Includes items 14 and 16
16	29796	Nut	
17	505753WP	Wrapper and Channel Assembly	White
	N/A	Wrapper and Channel Assembly	Almond
	505753QP	Wrapper and Channel Assembly	Bisque
18	511522WP	Security Cabinet Front Assembly	White
	511522LP	Security Cabinet Front Assembly	Almond
	511522QP	Security Cabinet Front Assembly	Bisque
19	511711	Temperature Selector Switch	
20	91176	Washer	
21	55882	Switch Assembly	Includes item 22
22	52947	Nut	
23	25820	Washer	
24	801431	Light	
25	500228W	Control Panel and Bracket Assembly	White
	500228L	Control Panel and Bracket Assembly	Almond
	500228Q	Control Panel and Bracket Assembly	Bisque
26	512678	Overlay	Models JSE907*F4350 and JSG909*F3060
	512494	Overlay	Models HSE917*F2802, HSE917*F2902 and HSG919*F0902
	513147	Control Overlay	Models NSE917*F3022, NSE917*F5422 and NSG919*F3022
	512493	Overlay	All other models
27	24205	Nut	
28	39897	Switch Knob	
29	54612	Key	800
30	27260P	Lock Kit	Includes item 31
31	27261	Lock Cam	
32	502431	Screw	

* Add Letter To Designate Color. L - Almond Q - Bisque W - White

N/A = Part no longer available

Control Panel and Controls - Coin Slide Ready Models

Models HSE117*F2802, HSE117*F2902, HSG119*F0902, SSE107*G3018, SSE117*F3000, SSE117*F4350, SSE117*F5412, SSE117*G3018, SSG109*M3013, SSG119*F3000, SSG119*F3058, SSG119*F3060, SSG119*F5412, SSG119*F5480 and SSG119*M3013



DRY2123P_512026

Control Panel and Controls - Coin Slide Ready Models

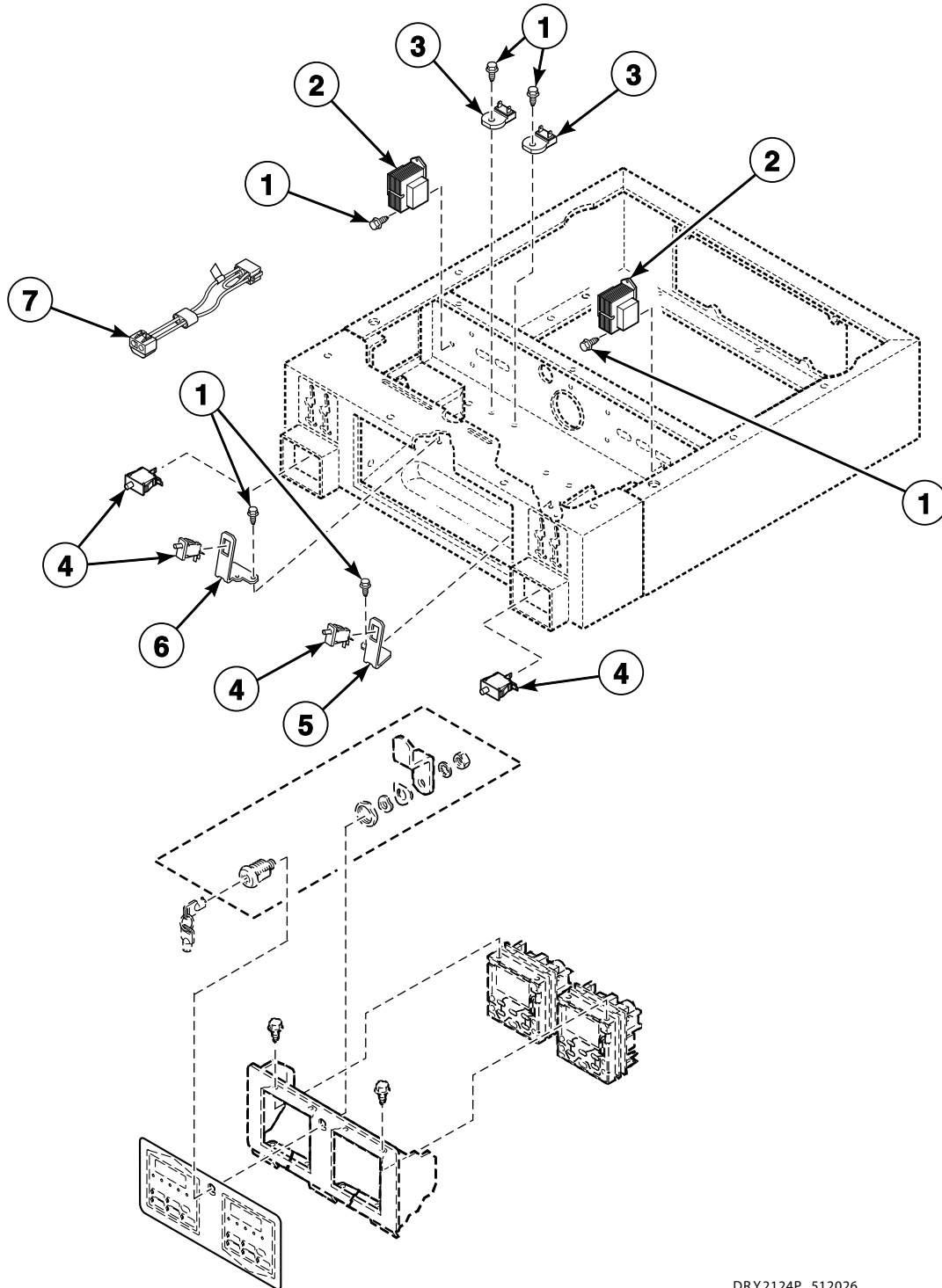
REF	PART NO.	DESCRIPTION	COMMENTS
1	33562	Screw	
2	58181	Coin Slide Guard	
3	N/A	Screw	
4	503455	Coin Slide Extension	
5	503688	Screw	
6	56751	Shield	
7	503017	Timer Bracket	
8	03203	Screw	
9	505753WP	Wrapper and Channel Assembly	White
	N/A	Wrapper and Channel Assembly	Almond
	505753QP	Wrapper and Channel Assembly	Bisque
10	29651	Bolt	
11	523P3	Coin Funnel Kit	Includes items 10 and 12
12	29796	Nut	
13	511522WP	Security Cabinet Front Assembly	White
	511522LP	Security Cabinet Front Assembly	Almond
	511522QP	Security Cabinet Front Assembly	Bisque
14	61512	Fabric Selector Switch	
15	91176	Washer	
16	55882	Switch Assembly	Includes item 17
17	52947	Nut	
18	25820	Washer	
19	32464	Light	
20	500228W	Control Panel and Bracket Assembly	White
	500228L	Control Panel and Bracket Assembly	Almond
	500228Q	Control Panel and Bracket Assembly	Bisque
21	502655	Overlay	Models SSE107*G3018, SSE117*G3018, SSG109*M3013 and SSG119*M3013
	505381	Overlay	Models HSE117*F2802, HSE117*F2902 and HSG119*F0902
	504590	Graphic Overlay	Models SSE117*F3000, SSE117*F4350, SSG119*F3000, SSG119*F3058, SSG119*F3060 and SSG119*F5480
	N/A	Overlay	Models SSE117*F5412 and SSG119*F5412
22	24205	Nut	
23	39897	Switch Knob	
24	54612	Key	800
25	27260P	Lock Kit	Includes item 26
26	27261	Lock Cam	
27	502431	Screw	
28	80077	Nut	

* Add Letter To Designate Color. L - Almond Q - Bisque W - White

N/A = Part no longer available

Control Panel and Controls - Coin Drop and Card Models (Drawing 1 of 2)

Models HSE517*F2802, HSE517*F2902, HSE717*F2802, HSE717*F2902, HSEB17*J2802, HSEB17*J2902, HSEBXFGW131DW01, HSEBXFGW171FW28, HSEBXFGW541DW01, HSEF17*J2802, HSEF17*J2902, HSER17*F2802, HSER17*F2902, HSET17*F2802, HSET17*F2902, HSEX17*F2802, HSEX17*F2902, HSEY17*F2802, HSEY17*F2902, HSEY17*F99N2, HSEZ17*F2802, HSEZ17*F2902, HSG519*F0902, HSG719*F0902, HSGB19*J0902, HSGF19*J0902, HSGR19*F0902, HSGT19*F0902, HSGX19*F0902, HSGY19*F0902, HSGZ19*F0902, JSEBEFGW301EW01, JSGBEFGW301EW01, NSEBXFGW301NW22, NSGBXFGW301NW22, SSE417*F3000, SSE417*F4350, SSEA07*G3018, SSEBXFGW131DW01, SSEBXFGW541DW01, SSEF17*J4350, SSEX07*G3018, SSG419*F3000, SSG419*F3058, SSGF19*J3060, SSGX09*M3013 and SSGX19*F3060



DRY2124P_512026

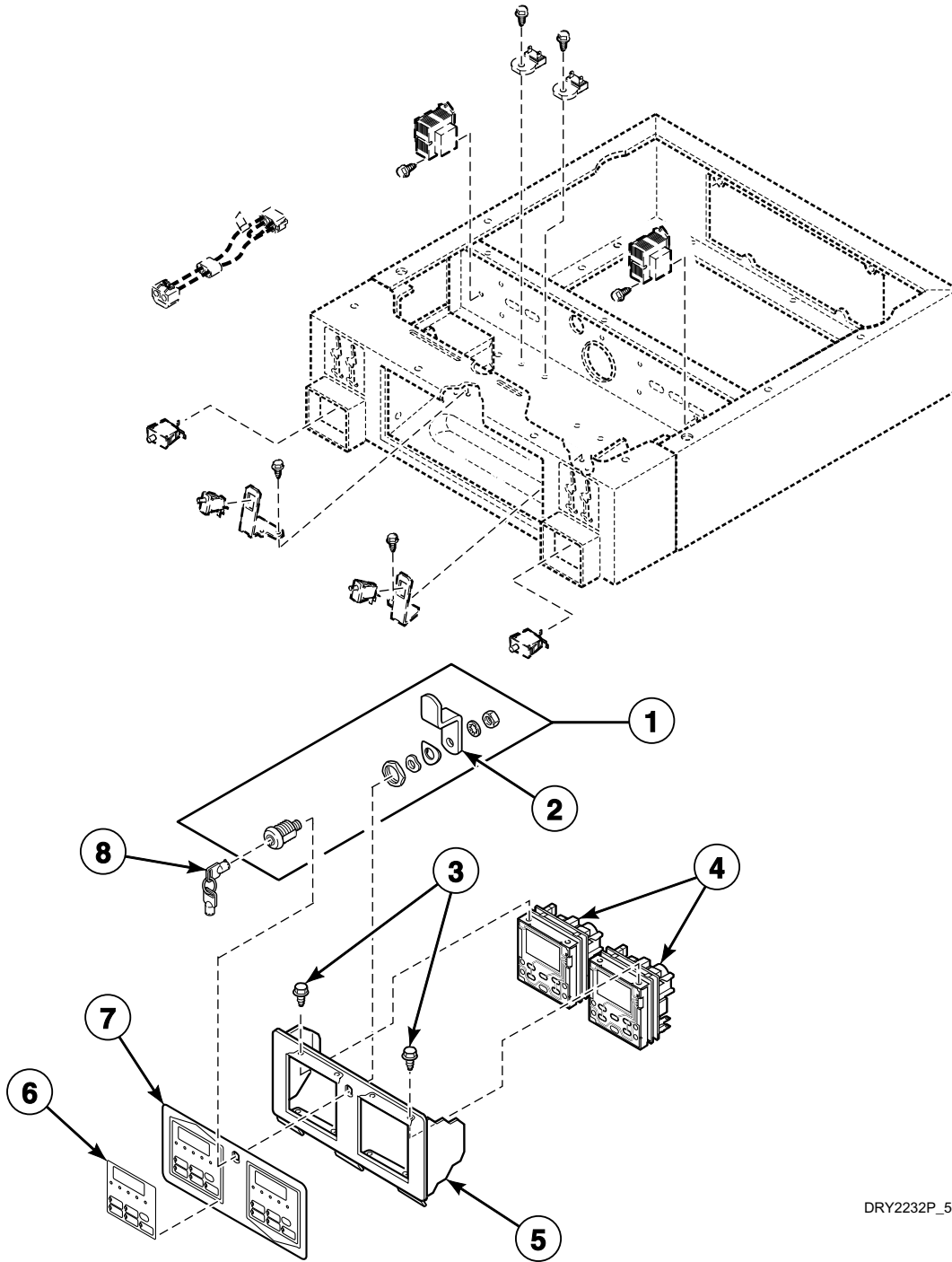
Control Panel and Controls - Coin Drop and Card Models (Drawing 1 of 2)

REF	PART NO.	DESCRIPTION	COMMENTS
1	503688	Screw	
2	803527P	Transformer	Models HSEBXFGW541DW01, JSEBEFGW301EW01, JSGBEFGW301EW01, NSEBXFGW301NW22, NSGBXFGW301NW22, SSEA07*G3018, SSEBXFGW541DW01, SSEF17*J4350, SSEX07*G3018, SSGF19*J3060, SSGX09*M3013 and SSGX19*F3060; Models HSEX17*F2802, HSEX17*F2902, HSEY17*F2802, HSEY17*F2902, HSEY17*F99N2, HSGX19*F0902 and HSGY19*F0902 through Serial No. 0409
	201375P	Transformer	Some models may have jumper wire attached to transformer. Discard jumper wire when replacing transformer; Models HSER17*F2802, HSER17*F2902, HSEX17*F2802, HSEX17*F2902, HSEY17*F2802, HSEY17*F2902, HSEY17*F99N2, HSGR19*F0902, HSGX19*F0902 and HSGY19*F0902 starting Serial No. 0409; Models HSEBXFGW131DW01 and SSEBXFGW131DW01
	210018P	Transformer	Models HSEB17*J2802, HSEB17*J2902, HSEBXFGW171FW28, HSEF17*J2802, HSEF17*J2902, HSET17*F2802, HSET17*F2902, HSEZ17*F2802, HSEZ17*F2902, HSGB19*J0902, HSGF19*J0902, HSGT19*F0902 and HSGZ19*F0902
3	210100	Resistor	All models except SSGX09*M3013
4	512973	Switch	
5	800380	Audit Switch Bracket	Right
6	800379	Audit Switch Bracket	Left
7	M413507	Jumper Configuration Assembly	Models HSEBXFGW541DW01, JSEBEFGW301EW01, JSGBEFGW301EW01, NSEBXFGW301NW22, NSGBXFGW301NW22, SSEA07*G3018, SSEBXFGW541DW01, SSEF17*J4350, SSEX07*G3018, SSGF19*J3060, SSGX09*M3013 and SSGX19*F3060

* Add Letter To Designate Color. L - Almond Q - Bisque W - White

Control Panel and Controls - Coin Drop and Card Models (Drawing 2 of 2)

Models HSE517*F2802, HSE517*F2902, HSE717*F2802, HSE717*F2902, HSEB17*J2802, HSEB17*J2902, HSEBXFGW131DW01, HSEBXFGW171FW28, HSEBXFGW541DW01, HSEF17*J2802, HSEF17*J2902, HSER17*F2802, HSER17*F2902, HSET17*F2802, HSET17*F2902, HSEX17*F2802, HSEX17*F2902, HSEY17*F2802, HSEY17*F2902, HSEY17*F99N2, HSEZ17*F2802, HSEZ17*F2902, HSG519*F0902, HSG719*F0902, HSGB19*J0902, HSGF19*J0902, HSGR19*F0902, HSGT19*F0902, HSGX19*F0902, HSGY19*F0902, HSGZ19*F0902, JSEBEFGW301EW01, JSGBEFGW301EW01, NSEBXFGW301NW22, NSGBXFGW301NW22, SSE417*F3000, SSE417*F4350, SSEA07*G3018, SSEBXFGW131DW01, SSEBXFGW541DW01, SSEF17*J4350, SSEX07*G3018, SSG419*F3000, SSG419*F3058, SSGF19*J3060, SSGX09*M3013 and SSGX19*F3060



DRY2232P_512026

Control Panel and Controls - Coin Drop and Card Models (Drawing 2 of 2)

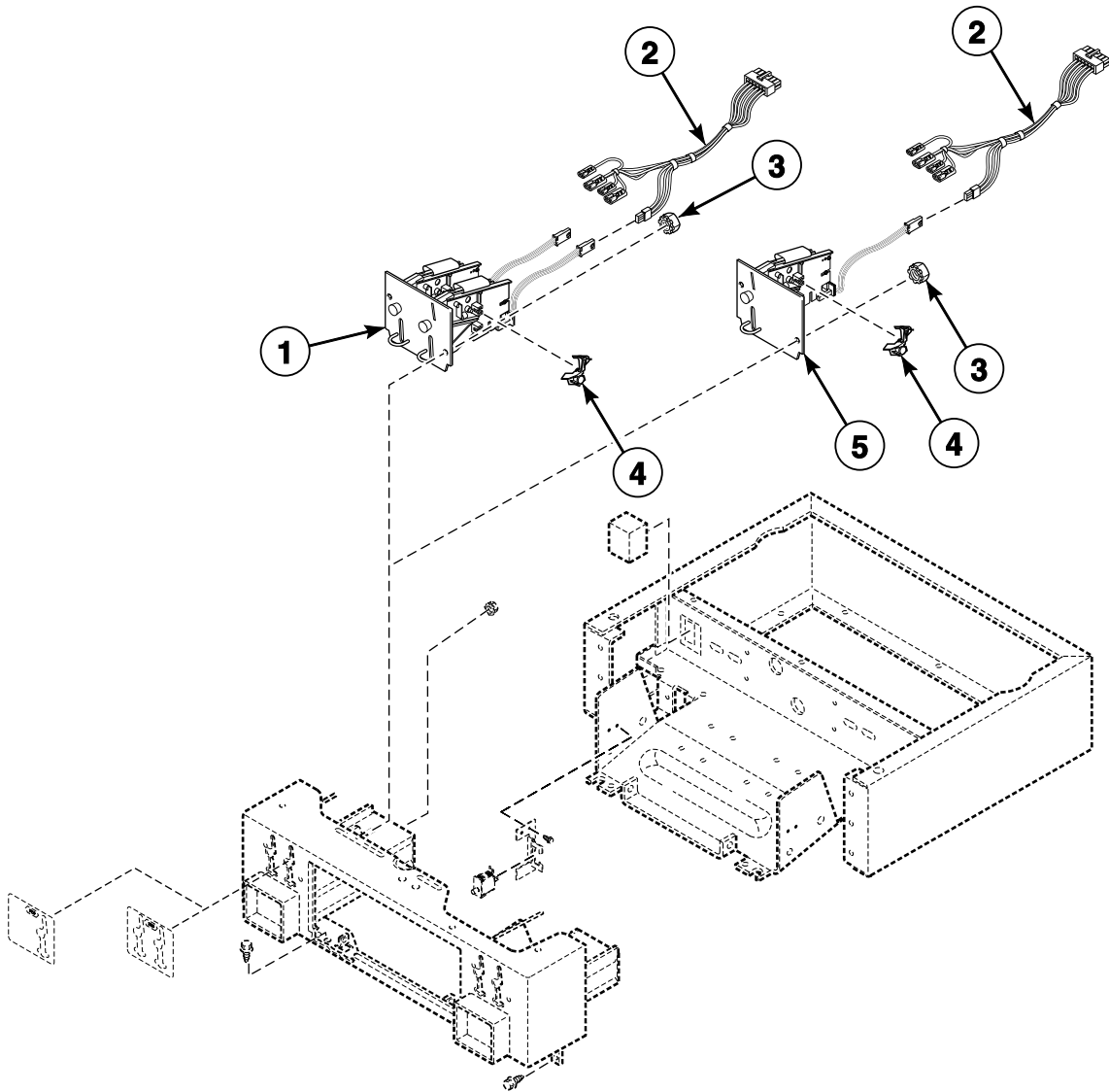
REF	PART NO.	DESCRIPTION	COMMENTS
1	27260P	Lock Kit	Includes item 2
2	27261	Lock Cam	
3	501524	Screw	
4	511867P	Control Assembly	Models HSEBXFGW131DW01, HSEBXFGW171FW28, HSEBXFGW541DW01, HSER17*F2802, HSER17*F2902, HSET17*F2802, HSET17*F2902, HSEX17*F2802, HSEX17*F2902, HSEY17*F2802, HSEY17*F2902, HSEY17*F99N2, HSEZ17*F2802, HSEZ17*F2902, HSGR19*F0902, HSGT19*F0902, HSGX19*F0902, HSGY19*F0902, HSGZ19*F0902, JSEBFGW301EW01, JSGBFGW301EW01, NSEBXFGW301NW22, NSGBXFGW301NW22, SSEBXFGW131DW01, SSEBXFGW541DW01, SSEX07*G3018, SSGX09*M3013 and SSGX19*F3060
	M411883P	Control Kit	Includes item 3; 240 Volt; Models SSE417*F3000, SSE417*F4350, SSG419*F3000 and SSG419*F3058
	M414050P	Control Kit	Includes item 3; 120 Volt; Models HSE517*F2802, HSE517*F2902, HSE717*F2802, HSE717*F2902, HSG519*F0902 and HSG719*F0902
	505905P	Control Kit	Includes item 3; All other models
5	N/A	Control Panel and Bracket Assembly	Models HSE517*F2802, HSE517*F2902, HSE717*F2802, HSE717*F2902, HSG519*F0902, HSG719*F0902, SSE417*F3000, SSE417*F4350, SSG419*F3000 and SSG419*F3058
	510076B	Control Panel and Bracket Assembly	Black; All other models
	510076W	Control Panel and Bracket Assembly	White; All other models
6	513546	Overlay	French/English; Models HSER17*F2802, HSER17*F2902, HSET17*F2802, HSET17*F2902, HSEX17*F2802, HSEX17*F2902, HSEY17*F2802, HSEY17*F2902, HSEY17*F99N2, HSEZ17*F2802, HSEZ17*F2902, HSGR19*F0902, HSGT19*F0902, HSGX19*F0902, HSGY19*F0902 and HSGZ19*F0902
7	N/A	Graphic Overlay	Models HSEB17*J2802, HSEB17*J2902, HSEF17*J2802, HSEF17*J2902, HSGB19*J0902 and HSGF19*J0902
	511485	Overlay	Models NSEBXFGW301NW22, NSGBXFGW301NW22, SSEX07*G3018 and SSGX09*M3013
	504117	Graphic Overlay	Models SSE417*F3000, SSE417*F4350, SSG419*F3000 and SSG419*F3058
	505382	Graphic Overlay	Models HSE517*F2802, HSE517*F2902, HSE717*F2802, HSE717*F2902, HSG519*F0902 and HSG719*F0902
	513250	Overlay	Models JSEBFGW301EW01 and JSGBFGW301EW01
	510064	Graphic Overlay	Models SSEF17*J4350 and SSGF19*J3060
	511428	Overlay	Models SSEBXFGW131DW01, SSEBXFGW541DW01 and SSGX19*F3060
	510074	Graphic Overlay	Model SSEA07*G3018
	511430	Overlay	All other models
8	54612	Key	800

* Add Letter To Designate Color. L - Almond Q - Bisque W - White

N/A = Part no longer available

Non-Electronic Coin Drop - Coin Drop Models

Models HSE517*F2802, HSE517*F2902, HSEB17*J2802, HSEB17*J2902, HSEBXFGW131DW01, HSEBXFGW171FW28, HSEBXFGW541DW01, HSER17*F2802, HSER17*F2902, HSET17*F2802, HSET17*F2902, HSEX17*F2802, HSEX17*F2902, HSEZ17*F2802, HSEZ17*F2902, HSG519*F0902, HSGB19*J0902, HSGR19*F0902, HSGT19*F0902, HSGX19*F0902, HSGZ19*F0902, JSEBFGW301EW01, JSGBFGW301EW01, NSEBXFGW301NW22, NSGBXFGW301NW22, SSE417*F3000, SSE417*F4350, SSEA07*G3018, SSEBXFGW131DW01, SSEBXFGW541DW01, SSEX07*G3018, SSG419*F3000, SSG419*F3058, SSGX09*M3013 and SSGX19*F3060



DRY2117P_512026

Non-Electronic Coin Drop - Coin Drop Models

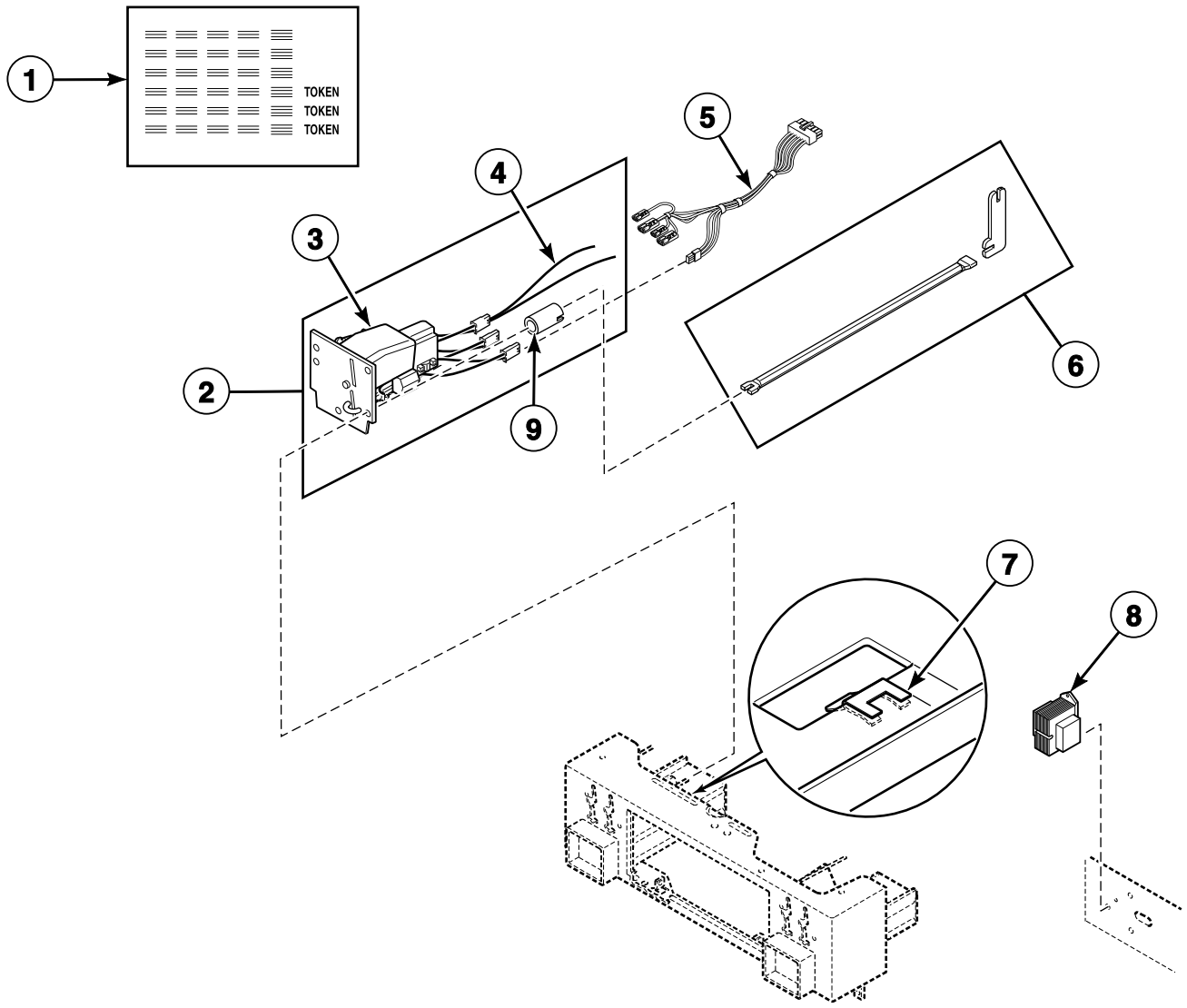
REF	PART NO.	DESCRIPTION	COMMENTS
1	N/A	Dual Coin Drop Assembly	Belgium, Denmark, France, Italy and Taiwan coins
	70441602	Coin Drop Assembly	Canada; .25 and 1.00
	38467	Coin Drop Assembly	Australia; .20 and 1.00
	38472	Coin Drop Assembly	England; 20p and 1 pound
	38519	Coin Drop Assembly	Japan; 100 yen and 500 yen
	38521	Coin Drop Assembly	Korea; 100 won and 500 won
	N/A	Coin Drop Assembly	New Zealand; .20 and 1.00
	39157	Coin Drop Assembly	Israel; 1 shekel and 5 shekel
2	802904P	Harness Assembly	Model HSEBXFGW171FW28
	802905	Harness Assembly	All other models
3	29786	Nut	
4	201595P	Wire Guard	Anti-stringing security device; Add to coin drops beginning January 2005
5	38462P	Coin Drop Assembly	Token; 118-1 mzp
	38463	Coin Drop Assembly	Token; 118-5 mzp
	38464P	Coin Drop Assembly	Canada; .25
	38475	Coin Drop Assembly	Japan; 100 yen
	CK077	Coin Drop Kit	Taiwan; 10 NT
	70441601P	Coin Drop	United States; \$.25
	38963P	Coin Drop	Token; 118-16 mzp 5 NT
	CK114	Coin Drop Assembly	Singapore; 1.00
70482401	Coin Drop Assembly	Dual; New Zealand; 1.00 and 2.00	

* Add Letter To Designate Color. L - Almond Q - Bisque W - White

N/A = Part no longer available

Electronic Coin Drop - Coin Drop Models

Models HSEB17*J2802, HSEB17*J2902, HSEBXFGW131DW01, HSEBXFGW171FW28, HSEBXFGW541DW01, HSER17*F2802, HSER17*F2902, HSET17*F2802, HSET17*F2902, HSEX17*F2802, HSEX17*F2902, HSEZ17*F2802, HSEZ17*F2902, HSGB19*J0902, HSGR19*F0902, HSGT19*F0902, HSGX19*F0902, HSGZ19*F0902, JSEBEFGW301EW01, JSGBEFGW301EW01, NSEBXFGW301NW22, NSGBXFGW301NW22, SSEA07*G3018, SSEBXFGW131DW01, SSEBXFGW541DW01, SSEX07*G3018, SSGX09*M3013 and SSGX19*F3060



DRY2177P_512026

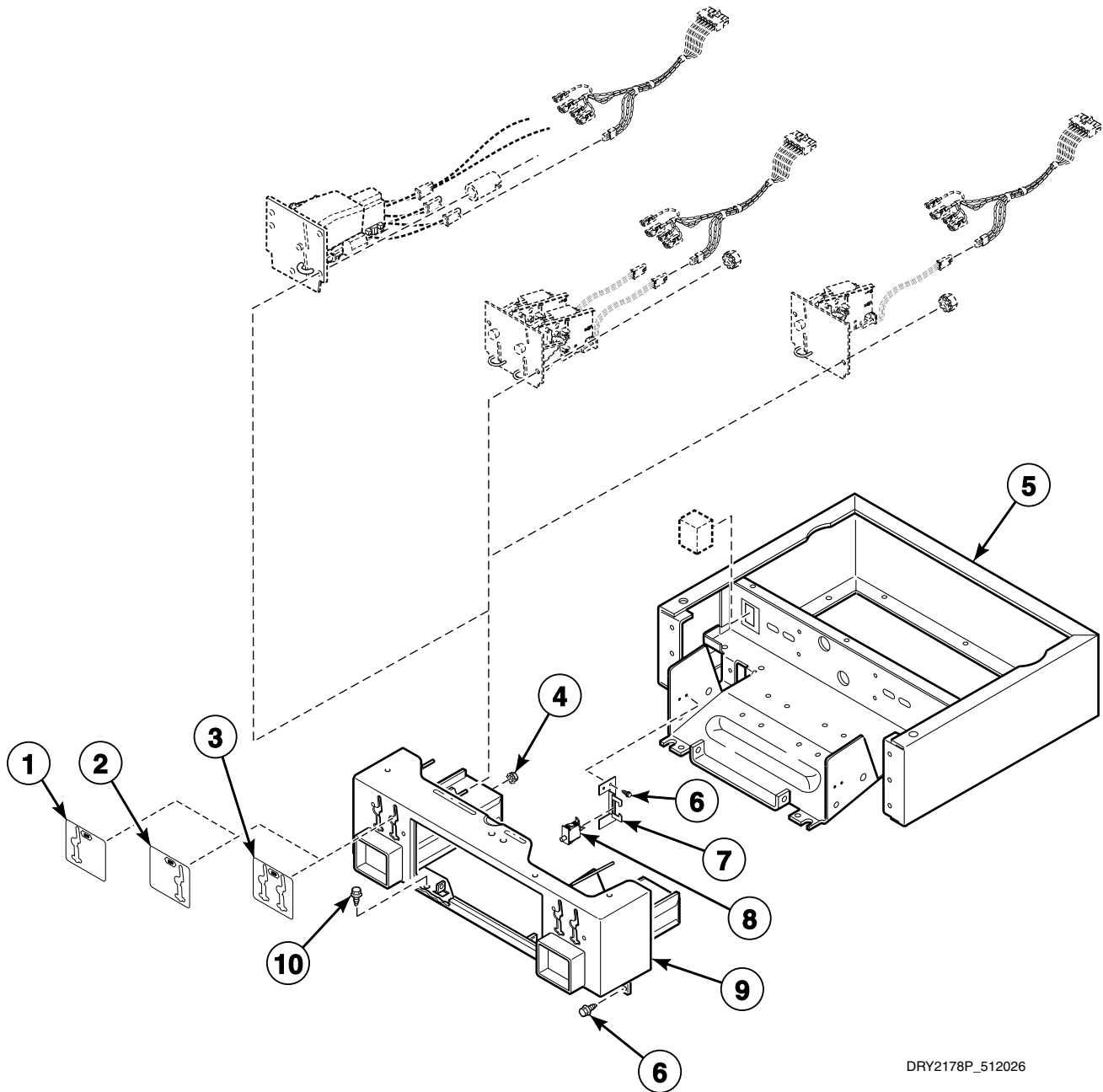
Electronic Coin Drop - Coin Drop Models

REF	PART NO.	DESCRIPTION	COMMENTS
1	38725	Coin Identification Paper	
2	CK099	Electronic Coin Drop Kit	Australia, New Zealand, Hong Kong and South Korea; Includes items 1, 3-5, 7 and 9
	CK100	Electronic Coin Drop Kit	Euro and Great Britain; Includes items 1, 3-5, 7 and 9
	CK101	Electronic Coin Drop Kit	Euro, Denmark and Norway; Includes items 1, 3-5, 7 and 9
	CK103	Electronic Coin Drop Kit	Euro, Lithuania and Latvia; Includes items 1, 3-5, 7 and 9
	CK106	Electronic Coin Drop Kit	Malaysia, China and Russia; Includes items 1, 3-5, 7 and 9
	CK108	Electronic Coin Drop Kit	South Africa; Includes items 1, 3-5, 7 and 9
	CK109	Electronic Coin Drop Kit	Euro; Includes items 1, 3-5, 7 and 9
	CK110	Electronic Coin Drop Kit	Mexico, Ecuador and United States; Includes items 1, 3-5, 7 and 9
	CK113	Electronic Coin Drop Kit	Japan and Taiwan; Includes items 1, 3-5, 7 and 9
	CK115	Electronic Coin Drop Kit	United States and Canada; Includes items 1, 3-5, 7 and 9
	CK120	Electronic Coin Drop Kit	Chile; Includes items 1-3 and 5-7
	CK121	Electronic Coin Drop Kit	Singapore; Includes items 1-3 and 5-7
3	70294105P	Electronic Coin Drop Assembly	Australia, New Zealand, Hong Kong and South Korea
	70294103P	Electronic Coin Drop Assembly	Euro and Great Britain
	70294104	Electronic Coin Drop Assembly	Euro, Denmark and Norway
	70294107	Electronic Coin Drop Assembly	Euro, Lithuania and Latvia
	70294109	Electronic Coin Drop Assembly	Malaysia, China and Russia
	70294110	Electronic Coin Drop Assembly	South Africa
	70294111	Electronic Coin Drop Assembly	Euro
	70294106	Electronic Coin Drop Assembly	Mexico, Ecuador and United States
	70294112	Electronic Coin Drop Assembly	Euro, Great Britain and token
	70294120	Electronic Coin Drop Assembly	Chile
	70294121	Electronic Coin Drop Assembly	Singapore
4	201104	Coin Drop Wire Harness	For use with items 2 and 3
5	802905	Harness Assembly	Electronic Coin Drop requires this harness. If unit is not factory-equipped with this harness, it must be ordered separately.
6	CK096	Mounting Tool Kit	For use with items 2 and 3
7	201572	Clip	
8	201375P	Transformer	Electronic Coin Drop requires this transformer. If unit is not factory-equipped with this transformer, it must be ordered separately
9	201216	Nut	

* Add Letter To Designate Color. L - Almond Q - Bisque W - White

Control Cabinet Controls - Coin Drop Models

Models HSE517*F2802, HSE517*F2902, HSEB17*J2802, HSEB17*J2902, HSEBXFGW131DW01, HSEBXFGW171FW28, HSEBXFGW541DW01, HSER17*F2802, HSER17*F2902, HSET17*F2802, HSET17*F2902, HSEX17*F2802, HSEX17*F2902, HSEZ17*F2802, HSEZ17*F2902, HSG519*F0902, HSGB19*J0902, HSGR19*F0902, HSGT19*F0902, HSGX19*F0902, HSGZ19*F0902, JSEBFGW301EW01, JSGBFGW301EW01, NSEBXFGW301NW22, NSGBXFGW301NW22, SSE417*F3000, SSE417*F4350, SSEA07*G3018, SSEBXFGW131DW01, SSEBXFGW541DW01, SSEX07*G3018, SSG419*F3000, SSG419*F3058, SSGX09*M3013 and SSGX19*F3060



DRY2178P_512026

Control Cabinet Controls - Coin Drop Models

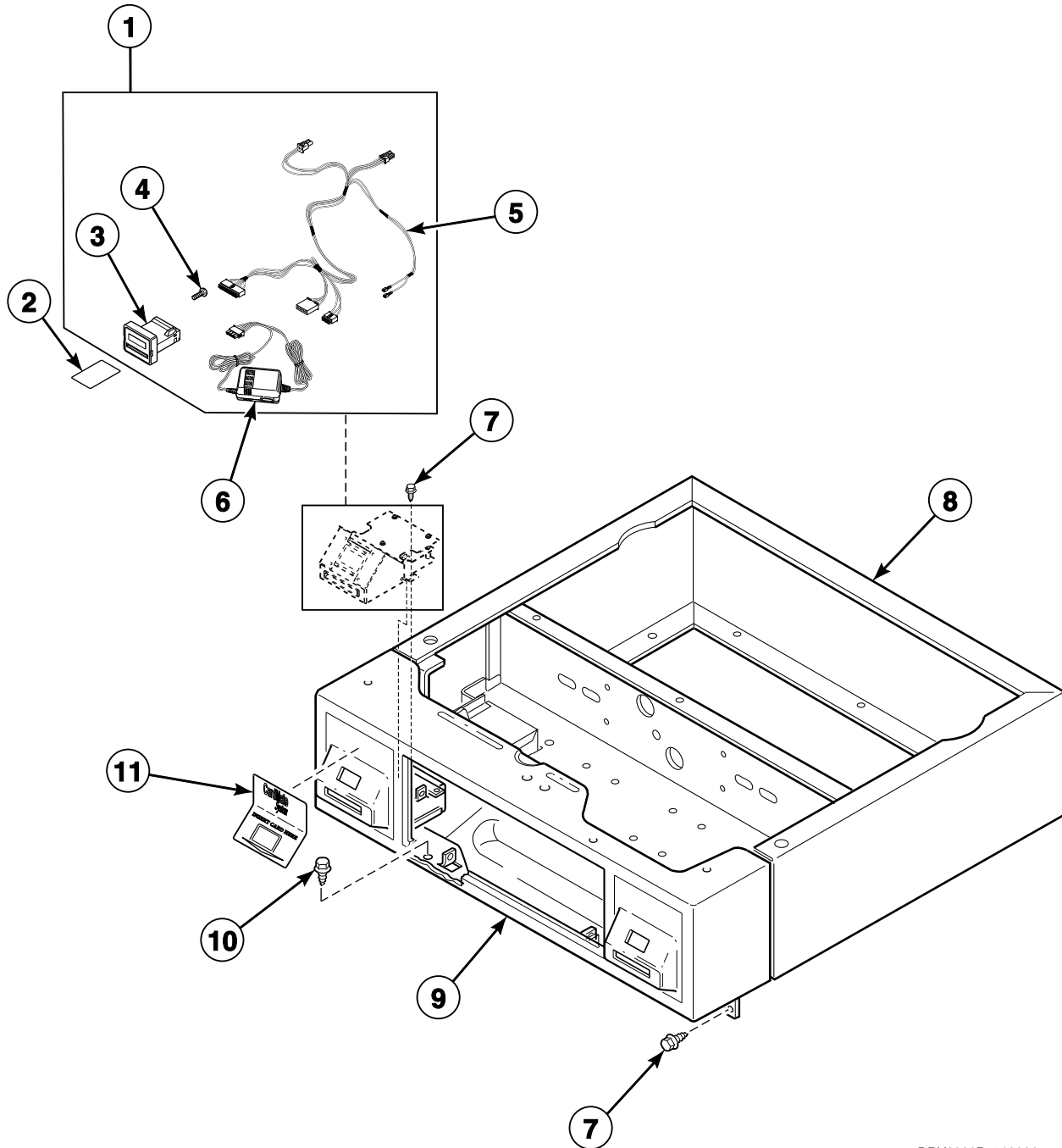
REF	PART NO.	DESCRIPTION	COMMENTS
1	803476	Single Drop Overlay	Models JSEBEFGW301EW01 and JSGBEFGW301EW01
2	38717	Single Overlay	For use with non-electronic coin drops
	201091	Overlay	For use with electronic coin drops
3	39073	Dual Overlay	
4	80077	Nut	
5	505753WP	Wrapper and Channel Assembly	White
	N/A	Wrapper and Channel Assembly	Almond
	505753QP	Wrapper and Channel Assembly	Bisque
6	503688	Screw	Models HSE517*F2802, HSE517*F2902, HSG519*F0902, SSE417*F3000, SSE417*F4350, SSG419*F3000 and SSG419*F3058
7	38087	Door Switch Bracket	Models HSE517*F2802, HSE517*F2902, HSG519*F0902, SSE417*F3000, SSE417*F4350, SSG419*F3000 and SSG419*F3058
8	512973	Switch	Models HSE517*F2802, HSE517*F2902, HSG519*F0902, SSE417*F3000, SSE417*F4350, SSG419*F3000 and SSG419*F3058
9	511632WP	Security Cabinet Front Assembly	White
	511632L	Security Cabinet Front Assembly	Almond
	511632Q	Security Cabinet Front Assembly	Bisque
	511632B	Security Cabinet Front Assembly	Black
10	502431	Screw	

* Add Letter To Designate Color. L - Almond Q - Bisque W - White

N/A = Part no longer available

Card Reader - Card Reader Ready and Installed Models

Models HSE717*F2802, HSE717*F2902 and HSG719*F0902



DRY2020P_512026

Card Reader - Card Reader Ready and Installed Models

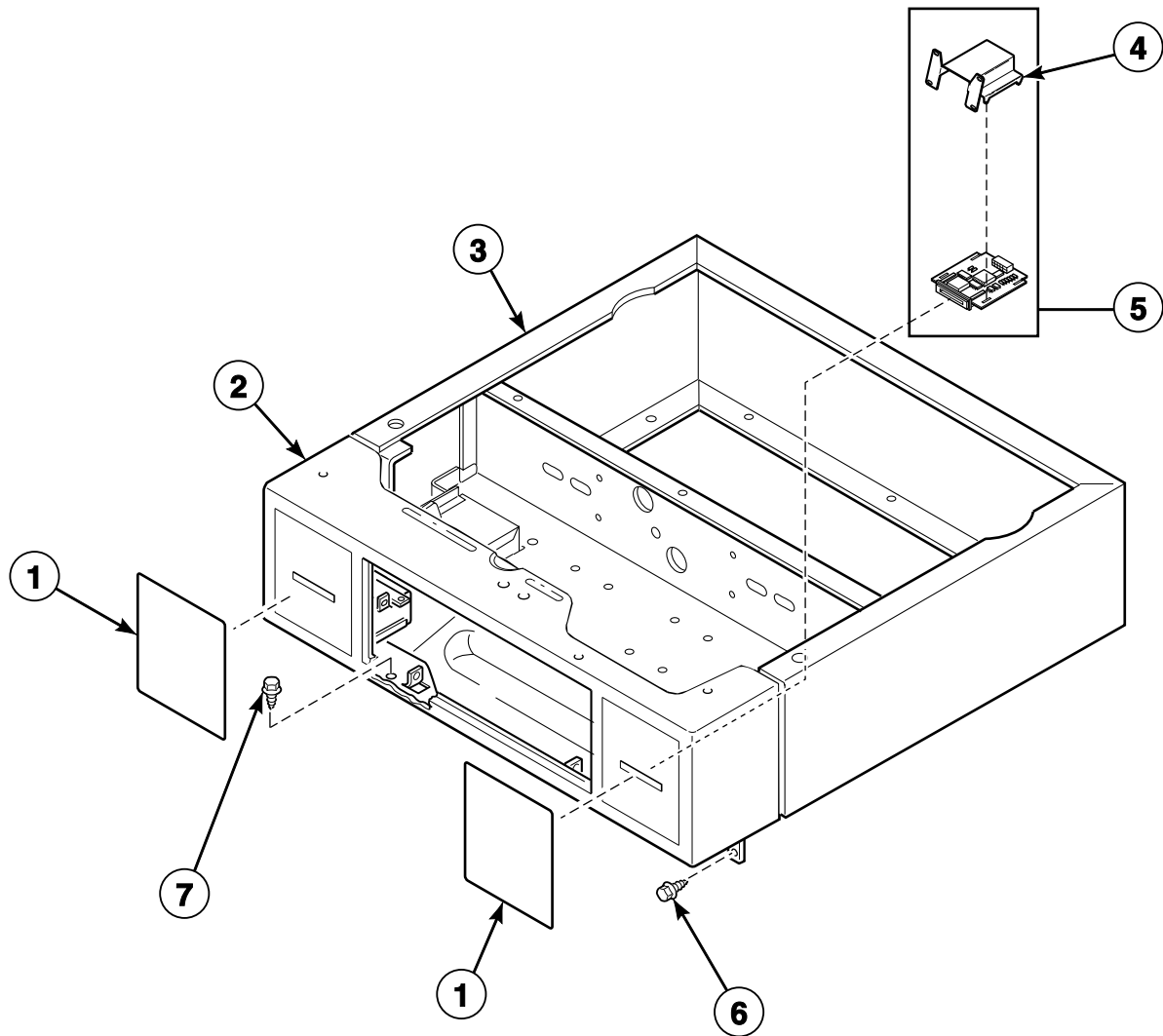
REF	PART NO.	DESCRIPTION	COMMENTS
1	875P3	Card Reader Kit	Includes items 3-6
2	512499P	Programming Card	
3	512473	Card Reader	
4	512505	Bolt	
5	512501	Harness	
6	512496	Power Supply	
7	503688	Screw	
8	505753WP	Wrapper and Channel Assembly	White
	N/A	Wrapper and Channel Assembly	Almond
	505753QP	Wrapper and Channel Assembly	Bisque
9	503428W	Security Cabinet Front Assembly	White; For use with 39685 Card Reader
	505227W	Security Cabinet Front Assembly	White; For use with 875P3 Card Reader Kit
	N/A	Security Cabinet Front Assembly	Almond; For use with 875P3 Card Reader Kit
10	502431	Screw	
11	38192	Card Reader Instruction Overlay	

* Add Letter To Designate Color. L - Almond Q - Bisque W - White

N/A = Part no longer available

Integrated Card Reader Installed and Ready - All Netmaster Integrated Card Reader Models

Models HSEF17*J2802, HSEF17*J2902, HSEY17*F2802, HSEY17*F2902,
HSEY17*F99N2, HSGF19*J0902, HSGY19*F0902, SSEF17*J4350 and SSGF19*J3060



DRY1761P_512026

Integrated Card Reader Installed and Ready - All Netmaster Integrated Card Reader Models

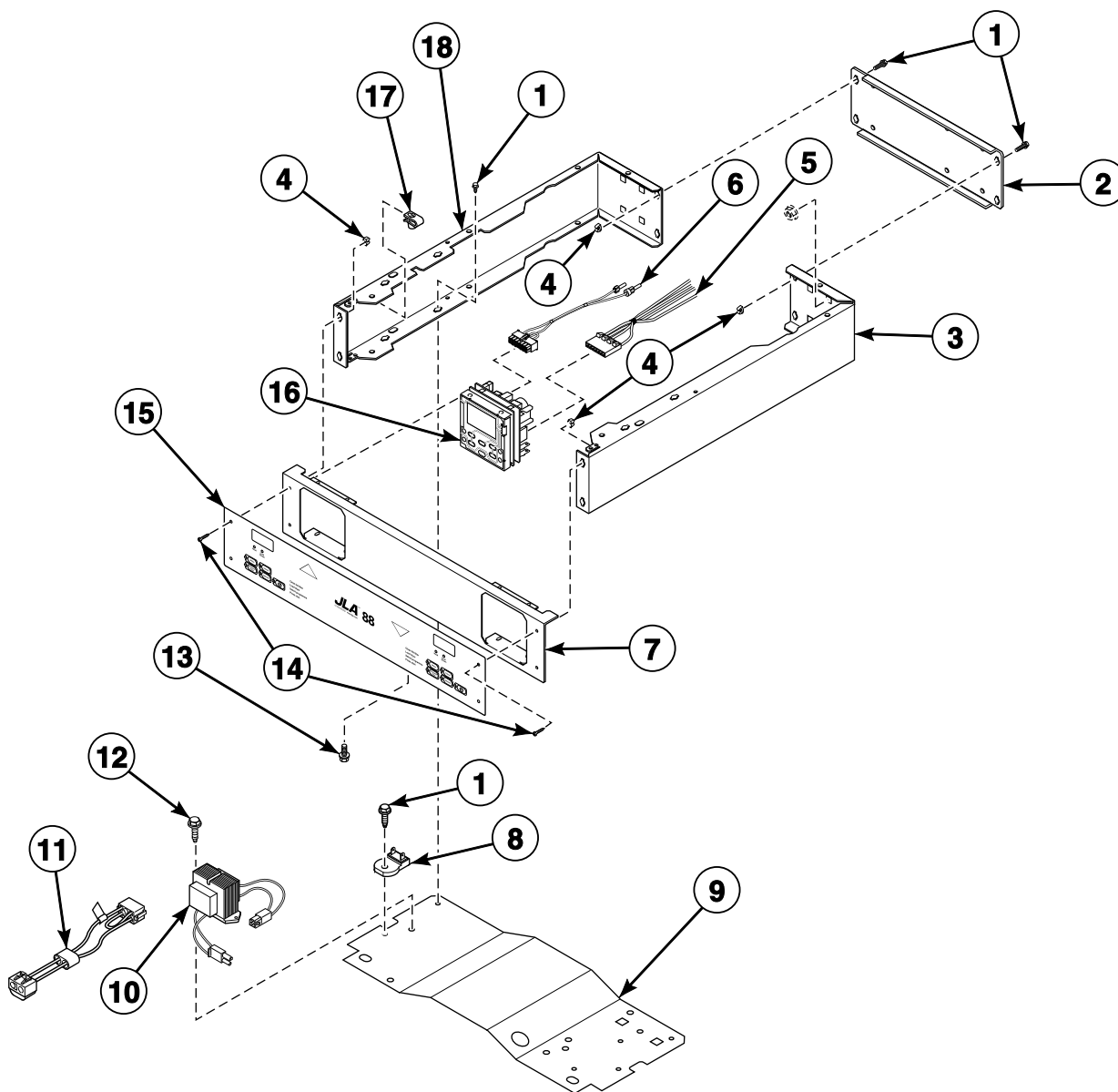
REF	PART NO.	DESCRIPTION	COMMENTS
1	800230	Card Reader Overlay	Models HSEF17*J2802, HSEF17*J2902, HSGF19*J0902, SSEF17*J4350 and SSGF19*J3060
	511548	Card Insert Overlay	Models HSEY17*F2802, HSEY17*F2902, HSEY17*F99N2 and HSGY19*F0902
2	511208W	Security Cabinet Front Assembly	White
	511208L	Security Cabinet Front Assembly	Almond
	511208Q	Security Cabinet Front Assembly	Bisque
3	505753WP	Wrapper and Channel Assembly	White
	N/A	Wrapper and Channel Assembly	Almond
	505753QP	Wrapper and Channel Assembly	Bisque
4	510045	Card Reader Bracket	Models HSEF17*J2802, HSEF17*J2902, HSGF19*J0902, SSEF17*J4350 and SSGF19*J3060
5	510068P	Card Reader and Bracket Assembly	Includes item 4; Models HSEF17*J2802, HSEF17*J2902, HSGF19*J0902, SSEF17*J4350 and SSGF19*J3060
6	503688	Screw	
7	502431	Screw	

* Add Letter To Designate Color. L - Almond Q - Bisque W - White

N/A = Part no longer available

Control Cabinet - Non-Vend Models

Models JSEBGF301EW01 and JSGBGF301EW01



DRY2234P_512026

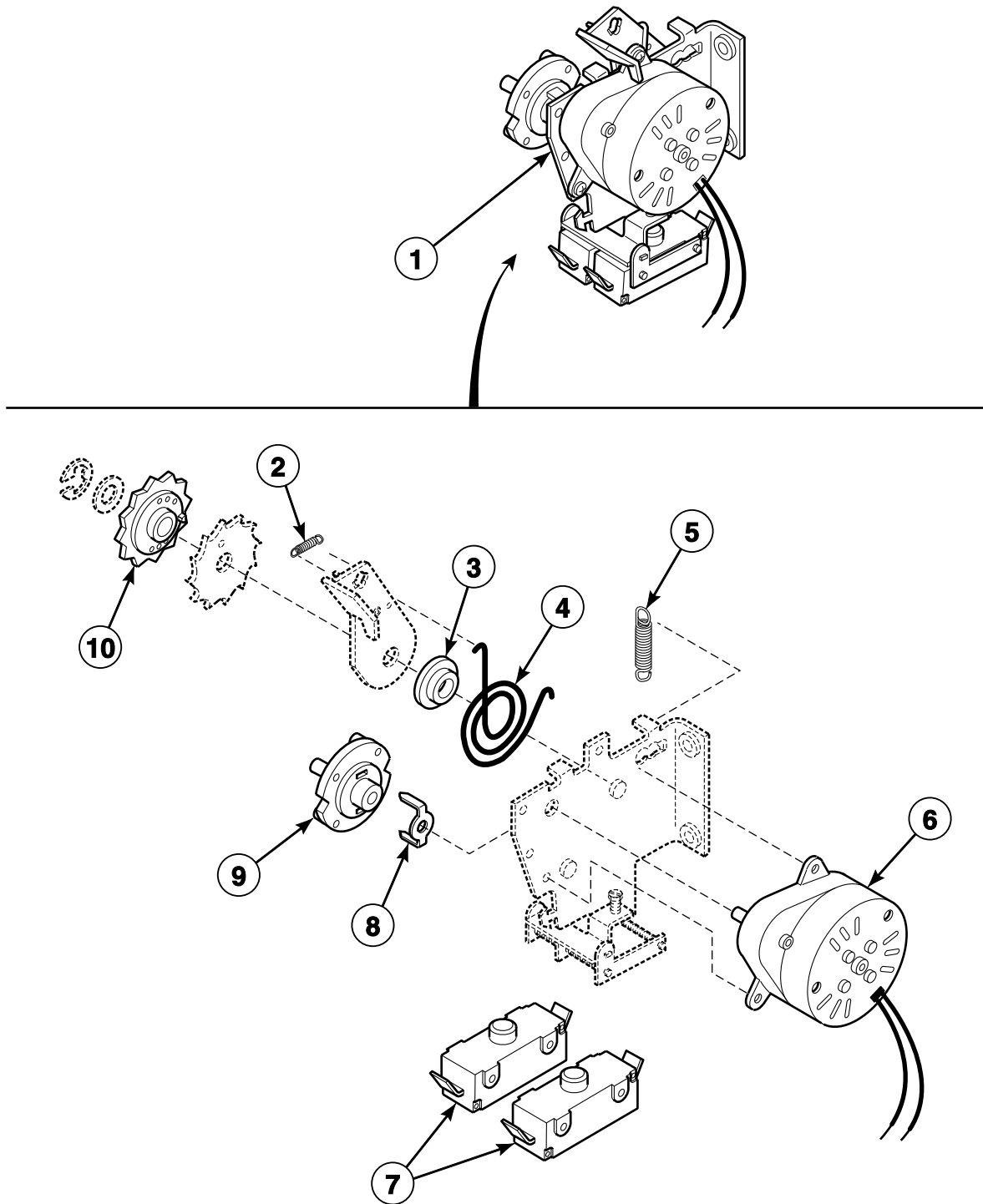
Control Cabinet - Non-Vend Models

REF	PART NO.	DESCRIPTION	COMMENTS
1	503688	Screw	
2	801058	Rear Control Cabinet	
3	800915W	Right Control Cabinet Side	White
4	70030501	Expansion Clip	
5	511478	Central Pay Harness	
6	800680	Diagnostic Wire Harness Assembly	
7	512098W	Control Panel and Bracket Assembly	White
8	210100	Resistor	
9	801777	Control Cabinet Bottom	
10	803527P	Transformer	
11	M413507	Jumper Configuration Assembly	Attaches to 210019P Transformer
12	70240301	Screw	
13	23008	Screw	
14	800930	Screw	
15	513249	Graphic Overlay	
16	511867P	Control Assembly	
17	800931	Nut	
18	800900WP	Left Control Cabinet Side	White

* Add Letter To Designate Color. L - Almond Q - Bisque W - White

Accumulator - Coin Slide Ready Models

Models HSE117*F2802, HSE117*F2902, HSG119*F0902, SSE107*G3018, SSE117*F3000, SSE117*F4350, SSE117*F5412, SSE117*G3018, SSG109*M3013, SSG119*F3000, SSG119*F3058, SSG119*F3060 and SSG119*M3013



DRY1815P_512026

Accumulator - Coin Slide Ready Models

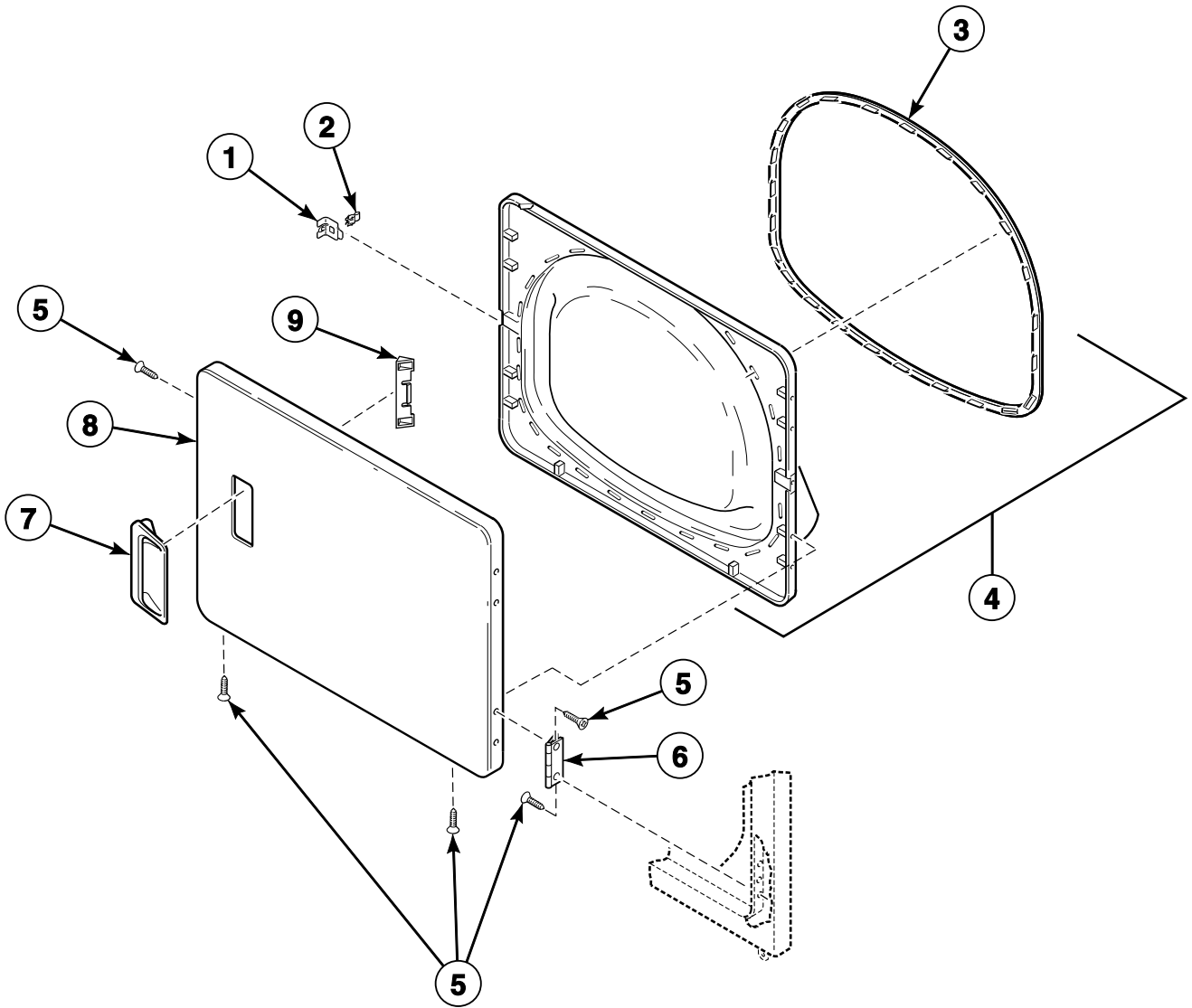
REF	PART NO.	DESCRIPTION	COMMENTS
1	510628P	Accumulator Replacement Kit	120 Volt/60 Hertz; 2 switch; Models HSE117*F2802, HSE117*F2902 and HSG119*F0902
	510629P	Accumulator Replacement Kit	240 Volt/50 Hertz; 2 switch; Models SSE107*G3018 and SSE117*F5412
	510631P	Accumulator Replacement Kit	230 Volt/60 Hertz; 2 switch; All other models
2	N/A	Pawl Spring	
3	N/A	Nylon Bushing	
4	53261	Spring	
5	N/A	Index Spring	
6	512017P	Timer Motor	115 Volt/60 Hertz
7	N/A	Switch	
8	M400754	Coin Meter Drive	
9	53240	Timing Cam	60 minute; 3 pin
	53241	Timing Cam	45 minute; 4 pin
	53242	Timing Cam	30 minute; 6 pin
	53243	Timing Cam	20 minute; 9 pin
10	53239	Ratchet Wheel	

* Add Letter To Designate Color. L - Almond Q - Bisque W - White

N/A = Part no longer available

Loading Door without Window

Models HSEBXFGW131DW01, HSEBXFGW541DW01, JSE807*F4350, JSE907*F4350, JSG809*F3060, JSG909*F3060, SSE007*F3000, SSE007*F4350, SSE107*G3018, SSE807*F3000, SSE807*F4350, SSE807*G3018, SSE907*G3018, SSEA07*G3018, SSEBXFGW131DW01, SSEBXFGW541DW01, SSEX07*G3018, SSG109*M3013, SSG909*M3013 and SSGX09*M3013



DRY1775P_512026

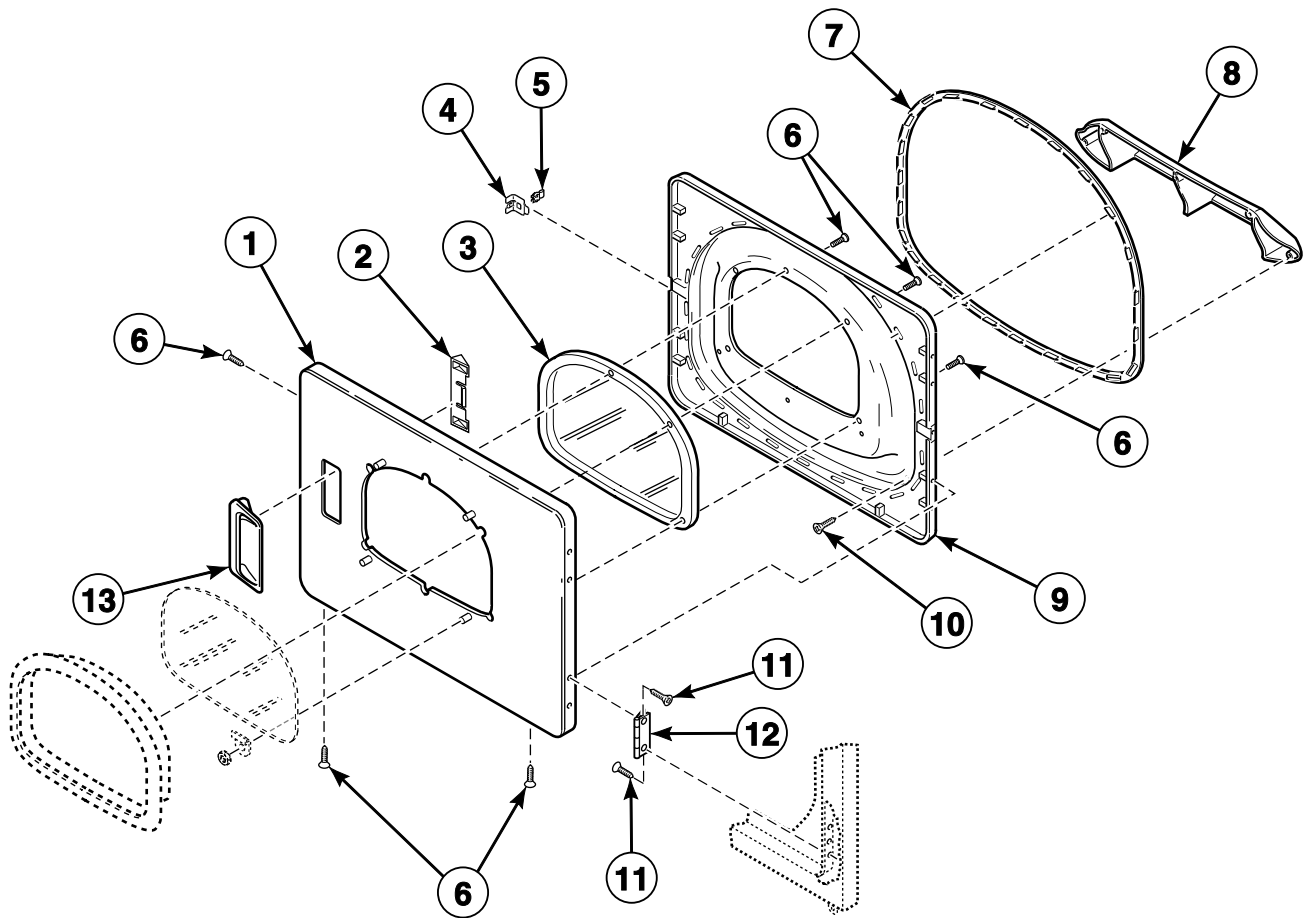
Loading Door without Window

REF	PART NO.	DESCRIPTION	COMMENTS
1	510127	Door Strike Mount	
2	510181	Door Strike	
3	510147P	Liner Door Seal	
4	510163WP	Liner, Seal and Grill Assembly	Includes item 3; Model SSE807*F3000 through Serial No. 1303025314; All other models
	513109P	Liner, Seal and Grill Assembly	Includes item 3; Model SSE807*F3000 starting Serial No. 1303025315
5	505295	Screw	
6	511036	Hinge	
7	510103WP	Door Pull and Wedge Kit	White; Includes item 9
	510103LP	Door Pull and Wedge Kit	Almond; Includes item 9
	510103QP	Door Pull and Wedge Kit	Bisque; Includes item 9
8	510013WP	Dryer Door	White
	510013LP	Dryer Door	Almond
	510013QP	Dryer Door	Bisque
9	510129	Door Handle Wedge	

* Add Letter To Designate Color. L - Almond Q - Bisque W - White

Loading Door with Window (Drawing 1 of 2)

Models HSE117*F2802, HSE117*F2902, HSE517*F2802, HSE517*F2902, HSE717*F2802, HSE717*F2902, HSE917*F2802, HSE917*F2902, HSEB17*J2802, HSEB17*J2902, HSEBXFGW171FW28, HSEF17*J2802, HSEF17*J2902, HSER17*F2802, HSER17*F2902, HSET17*F2802, HSET17*F2902, HSEX17*F2802, HSEX17*F2902, HSEY17*F2802, HSEY17*F2902, HSEY17*F99N2, HSEZ17*F2802, HSEZ17*F2902, HSG119*F0902, HSG519*F0902, HSG719*F0902, HSG919*F0902, HSGB19*J0902, HSGF19*J0902, HSGR19*F0902, HSGT19*F0902, HSGX19*F0902, HSGY19*F0902, HSGZ19*F0902, JSEBEFGW301EW01, JSEBFGW301EW01, JSGBEFGW301EW01, JSGBFGW301EW01, NSE817*F5422, NSE917*F3022, NSE917*F5422, NSEBXFGW301NW22, NSG919*F3022, NSGBXFGW301NW22, SSE117*F3000, SSE117*F4350, SSE117*F5412, SSE117*G3018, SSE417*F3000, SSE417*F4350, SSE917*F3000, SSE917*F4350, SSEF17*J4350, SSG119*F3000, SSG119*F3058, SSG119*F3060, SSG119*F5412, SSG119*F5480, SSG119*M3013, SSG419*F3000, SSG419*F3058, SSG919*F3028, SSG919*F3060, SSGF19*J3060, SSGX19*F3060, USE017*F5412 and USG019*F5412



DRY2296P_512026

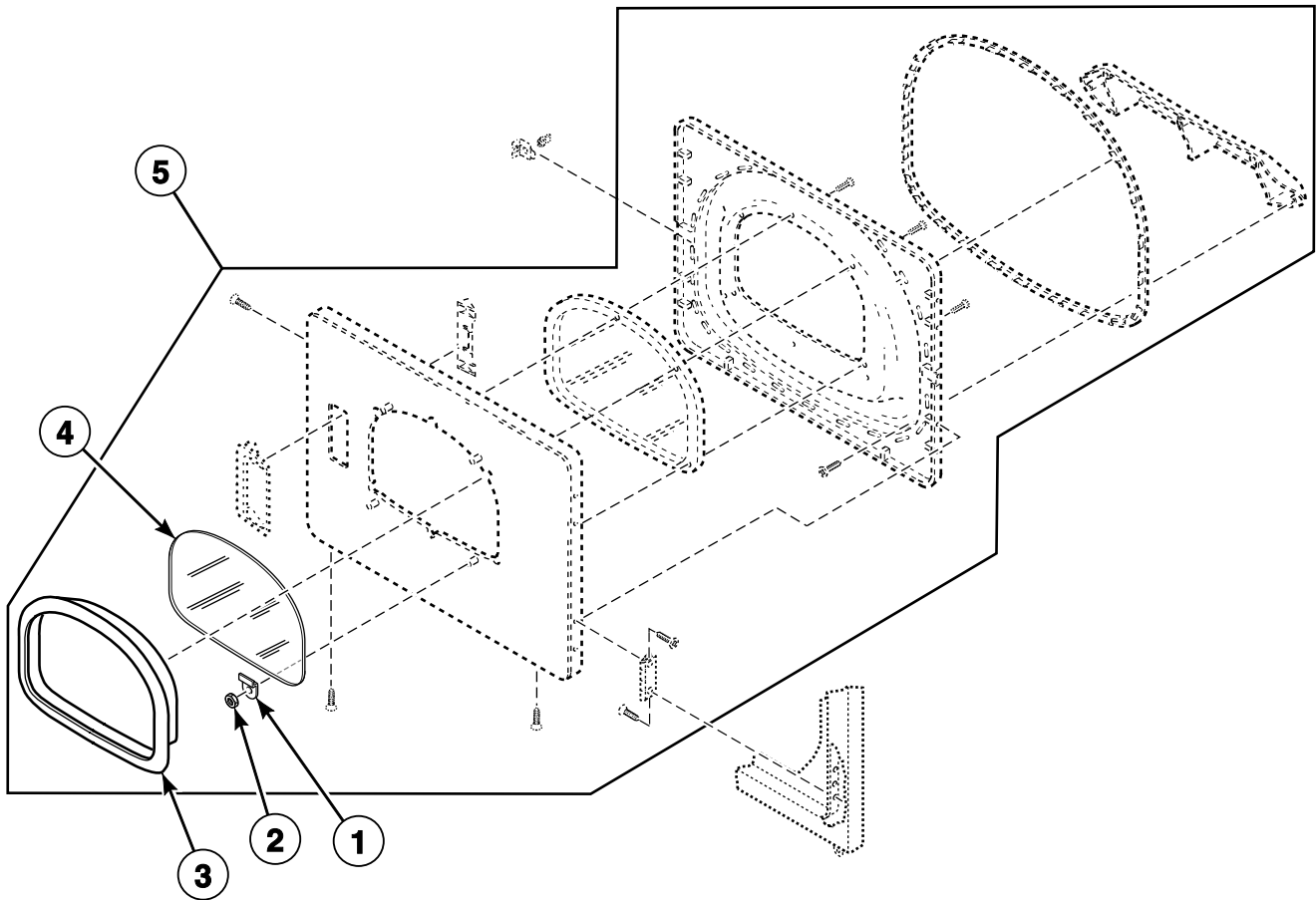
Loading Door with Window (Drawing 1 of 2)

REF	PART NO.	DESCRIPTION	COMMENTS
1	510082WP	Dryer Door	White; Models HSEBXFGW171FW28. HSER17*F2902, HSET17*F2902, HSEY17*F2802, HSEY17*F2902, NSE917*F3022, NSEBXFGW301NW22 and SSE917*F3000 through Serial No. 1303025314; All other models
	510082LP	Dryer Door	Almond; Models HSEBXFGW171FW28. HSER17*F2902, HSET17*F2902, HSEY17*F2802, HSEY17*F2902, NSE917*F3022, NSEBXFGW301NW22 and SSE917*F3000 through Serial No. 1303025314; All other models
	510082QP	Dryer Door	Bisque; Models HSEBXFGW171FW28. HSER17*F2902, HSET17*F2902, HSEY17*F2802, HSEY17*F2902, NSE917*F3022, NSEBXFGW301NW22 and SSE917*F3000 through Serial No. 1303025314; All other models
	514114W	Dryer Door Assembly	Models HSEBXFGW171FW28, HSER17*F2902, HSET17*F2902, HSEY17*F2802, HSEY17*F2902, NSE917*F3022, NSEBXFGW301NW22 and SSE917*F3000 starting Serial No. 1303025315
	514114Q	Dryer Door Assembly	Models HSEBXFGW171FW28, HSER17*F2902, HSET17*F2902, HSEY17*F2802, HSEY17*F2902, NSE917*F3022, NSEBXFGW301NW22 and SSE917*F3000 starting Serial No. 1303025315
2	510129	Door Handle Wedge	
3	503982P	Dryer Door Window	
4	510127	Door Strike Mount	
5	510181	Door Strike	
6	500226	Screw	
7	510147P	Liner Door Seal	
8	503870W	Door Liner Grill	Models HSEBXFGW171FW28. HSER17*F2902, HSET17*F2902, HSEY17*F2802, HSEY17*F2902, NSE917*F3022, NSEBXFGW301NW22 and SSE917*F3000 through Serial No. 1303025314; All other models
	503870LG	Door Liner Grill	Models HSEBXFGW171FW28, HSER17*F2902, HSET17*F2902, HSEY17*F2802, HSEY17*F2902, NSE917*F3022, NSEBXFGW301NW22 and SSE917*F3000 starting Serial No. 1303025315
9	510098W	Liner and Seal Assembly	Includes item 7; Models HSEBXFGW171FW28. HSER17*F2902, HSET17*F2902, HSEY17*F2802, HSEY17*F2902, NSE917*F3022, NSEBXFGW301NW22 and SSE917*F3000 through Serial No. 1303025314; All other models
	510098LG	Liner and Seal Assembly	Includes item 7; Models HSEBXFGW171FW28, HSER17*F2902, HSET17*F2902, HSEY17*F2802, HSEY17*F2902, NSE917*F3022, NSEBXFGW301NW22 and SSE917*F3000 starting Serial No. 1303025315
10	505870	Screw	
11	505295	Screw	
12	511036	Hinge	
13	510103WP	Door Pull and Wedge Kit	White; Includes item 2
	510103LP	Door Pull and Wedge Kit	Almond; Includes item 2
	510103QP	Door Pull and Wedge Kit	Bisque; Includes item 2

* Add Letter To Designate Color. L - Almond Q - Bisque W - White

Loading Door with Window (Drawing 2 of 2)

Models HSE117*F2802, HSE117*F2902, HSE517*F2802, HSE517*F2902, HSE717*F2802, HSE717*F2902, HSE917*F2802, HSE917*F2902, HSEB17*J2802, HSEB17*J2902, HSEBXFGW171FW28, HSEF17*J2802, HSEF17*J2902, HSER17*F2802, HSER17*F2902, HSET17*F2802, HSET17*F2902, HSEX17*F2802, HSEX17*F2902, HSEY17*F2802, HSEY17*F2902, HSEY17*F99N2, HSEZ17*F2802, HSEZ17*F2902, HSG119*F0902, HSG519*F0902, HSG719*F0902, HSG919*F0902, HSGB19*J0902, HSGF19*J0902, HSGR19*F0902, HSGT19*F0902, HSGX19*F0902, HSGY19*F0902, HSGZ19*F0902, JSEBEFGW301EW01, JSEBFGW301EW01, JSGBEFGW301EW01, JSGBFGW301EW01, NSE817*F5422, NSE917*F3022, NSE917*F5422, NSEBXFGW301NW22, NSG919*F3022, NSGBXFGW301NW22, SSE117*F3000, SSE117*F4350, SSE117*F5412, SSE117*G3018, SSE417*F3000, SSE417*F4350, SSE917*F3000, SSE917*F4350, SSEF17*J4350, SSG119*F3000, SSG119*F3058, SSG119*F3060, SSG119*F5412, SSG119*F5480, SSG119*M3013, SSG419*F3000, SSG419*F3058, SSG919*F3028, SSG919*F3060, SSGF19*J3060, SSGX19*F3060, USE017*F5412 and USG019*F5412



DRY2296PA_512026

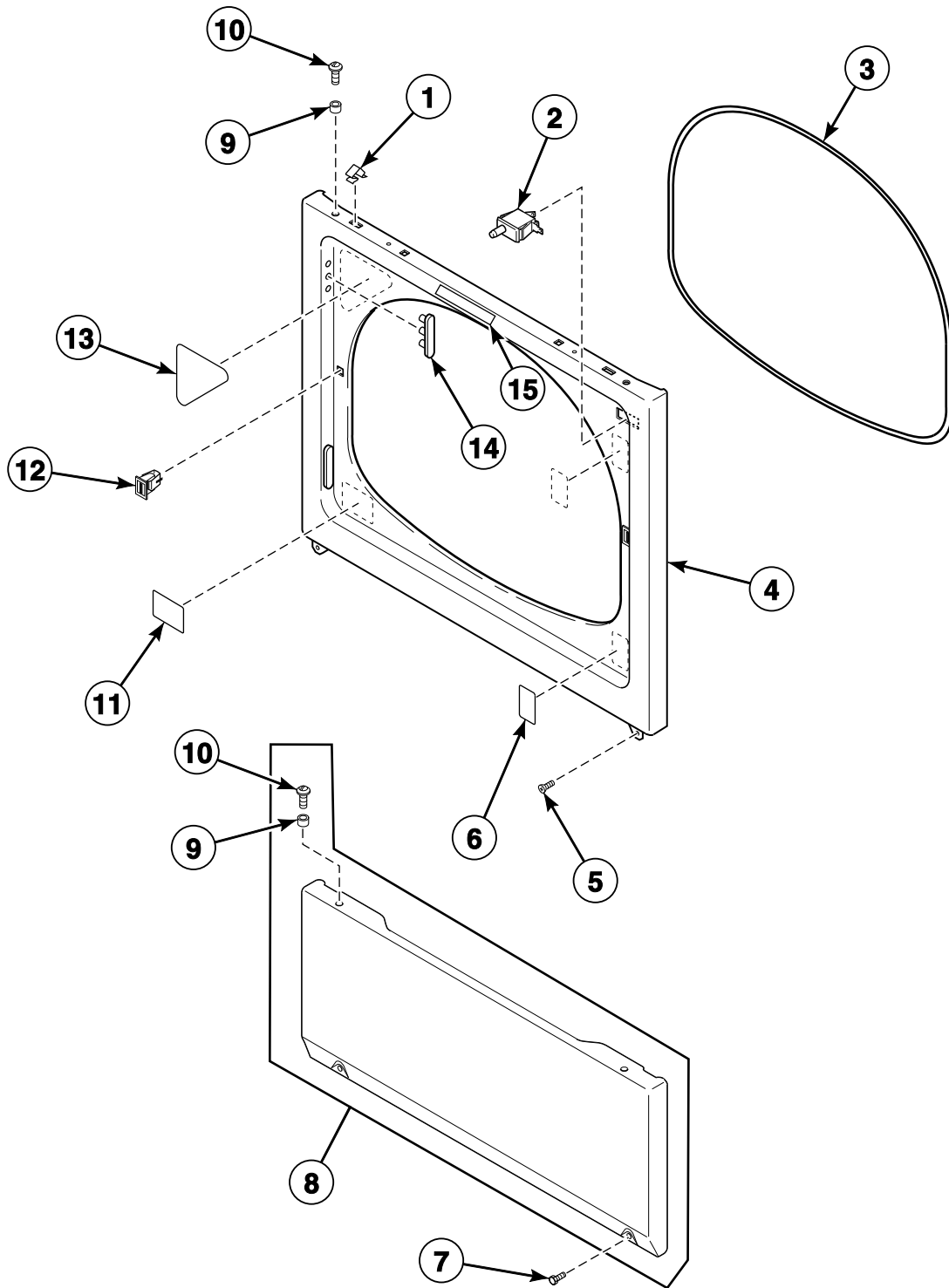
Loading Door with Window (Drawing 2 of 2)

REF	PART NO.	DESCRIPTION	COMMENTS
1	513958	Window Clip	Models HSEBXFGW171FW28, HSER17*F2902, HSET17*F2902, HSEY17*F2802, HSEY17*F2902, NSE917*F3022, NSEBXFGW301NW22 and SSE917*F3000 starting Serial No. 1303025315
2	44071201	Nut	Models HSEBXFGW171FW28, HSER17*F2902, HSET17*F2902, HSEY17*F2802, HSEY17*F2902, NSE917*F3022, NSEBXFGW301NW22 and SSE917*F3000 starting Serial No. 1303025315
3	503981W	Window Trim	White; Models HSEBXFGW171FW28. HSER17*F2902, HSET17*F2902, HSEY17*F2802, HSEY17*F2902, NSE917*F3022, NSEBXFGW301NW22 and SSE917*F3000 through Serial No. 1303025314; All other models
	503981L	Window Trim	Almond; Models HSEBXFGW171FW28. HSER17*F2902, HSET17*F2902, HSEY17*F2802, HSEY17*F2902, NSE917*F3022, NSEBXFGW301NW22 and SSE917*F3000 through Serial No. 1303025314; All other models
	503981Q	Window Trim	Bisque; Models HSEBXFGW171FW28. HSER17*F2902, HSET17*F2902, HSEY17*F2802, HSEY17*F2902, NSE917*F3022, NSEBXFGW301NW22 and SSE917*F3000 through Serial No. 1303025314; All other models
	513960W	Window Trim	Models HSEBXFGW171FW28, HSER17*F2902, HSET17*F2902, HSEY17*F2802, HSEY17*F2902, NSE917*F3022, NSEBXFGW301NW22 and SSE917*F3000 starting Serial No. 1303025315
	513960Q	Window Trim	Models HSEBXFGW171FW28, HSER17*F2902, HSET17*F2902, HSEY17*F2802, HSEY17*F2902, NSE917*F3022, NSEBXFGW301NW22 and SSE917*F3000 starting Serial No. 1303025315
4	513910	Glass Door Window	Models HSEBXFGW171FW28, HSER17*F2902, HSET17*F2902, HSEY17*F2802, HSEY17*F2902, NSE917*F3022, NSEBXFGW301NW22 and SSE917*F3000 starting Serial No. 1303025315
5	511636WP	Door and Liner Assembly	White; Includes item 3, items 1-3, 6, and 8-13 on <i>Loading Door with Window (Drawing 1 of 2)</i> ; Models HSEBXFGW171FW28. HSER17*F2902, HSET17*F2902, HSEY17*F2802, HSEY17*F2902, NSE917*F3022, NSEBXFGW301NW22 and SSE917*F3000 through Serial No. 1303025314; All other models
	N/A	Door and Liner Assembly	Almond; Includes items 1-2 and items 1-10 on <i>Loading Door with Window (Drawing 1 of 2)</i> ; Models HSEBXFGW171FW28. HSER17*F2902, HSET17*F2902, HSEY17*F2802, HSEY17*F2902, NSE917*F3022, NSEBXFGW301NW22 and SSE917*F3000 through Serial No. 1303025314; All other models
	511636QP	Door and Liner Assembly	Bisque; Includes items 1-2 and items 1-10 on <i>Loading Door with Window (Drawing 1 of 2)</i> ; Models HSEBXFGW171FW28. HSER17*F2902, HSET17*F2902, HSEY17*F2802, HSEY17*F2902, NSE917*F3022, NSEBXFGW301NW22 and SSE917*F3000 through Serial No. 1303025314; All other models

* Add Letter To Designate Color. L - Almond Q - Bisque W - White

N/A = Part no longer available

Access Panel, Front Panel and Seal



DRY2179P_512026

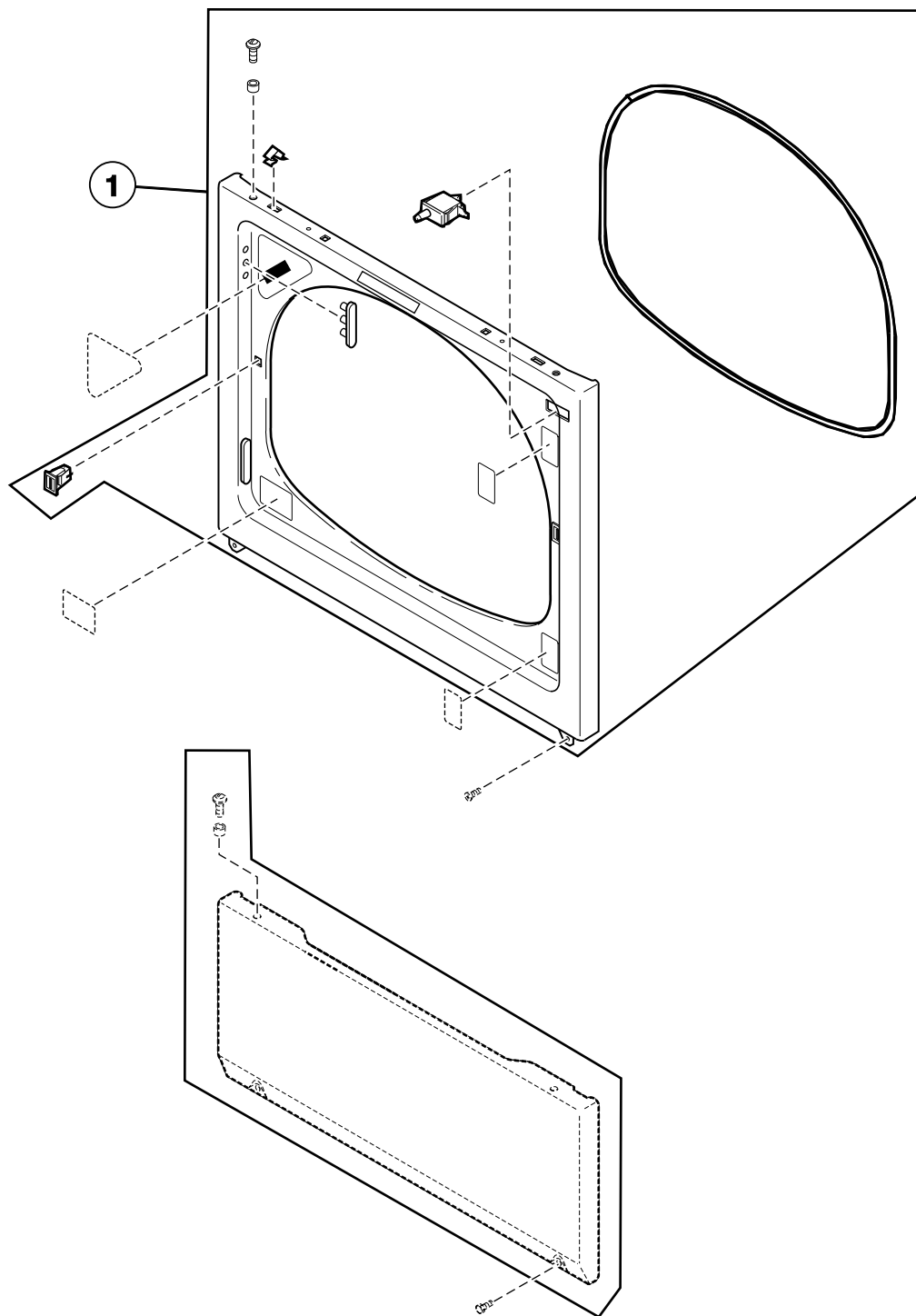
Access Panel, Front Panel and Seal

REF	PART NO.	DESCRIPTION	COMMENTS
	511903	Instruction Label	Models HSEBXFGW131DW01, HSEBXFGW541DW01, SSEBXFGW131DW01 and SSEBXFGW541DW01
1	28835	Speed Clip	
2	512973	Switch	
3	511056	Front Panel Seal	
4	510066WP	Front Panel	White
	510066LP	Front Panel	Almond
	510066QP	Front Panel	Bisque
5	503688	Screw	
6	512263	Warning Label	Models JSE807*F4350, JSE907*F4350, JSG809*F3060, JSG909*F3060, SSE007*F4350, SSE117*F4350, SSE417*F4350, SSE807*F4350, SSE917*F4350, SSEF17*J4350, SSG119*F3058, SSG119*F3060, SSG419*F3058, SSG919*F3060, SSGF19*J3060 and SSGX19*F3060
7	33562	Screw	Slotted hex head
	62853	Screw	Torx head; Optional for added security
8	514250W	Access Panel Assembly	White; Models HSEBXFGW171FW28, HSER17*F2902, HSET17*F2902, HSEY17*F2802, HSEY17*F2902, NSE917*F3022, NSEBXFGW301NW22, SSE807*F3000 and SSE917*F3000 through Serial No. 1303025314; All other models
	510069LP	Access Panel	Almond; Models HSEBXFGW171FW28, HSER17*F2902, HSET17*F2902, HSEY17*F2802, HSEY17*F2902, NSE917*F3022, NSEBXFGW301NW22, SSE807*F3000 and SSE917*F3000 through Serial No. 1303025314; All other models
	514250Q	Access Panel Assembly	Bisque; Models HSEBXFGW171FW28, HSER17*F2902, HSET17*F2902, HSEY17*F2802, HSEY17*F2902, NSE917*F3022, NSEBXFGW301NW22, SSE807*F3000 and SSE917*F3000 through Serial No. 1303025314; All other models
	514252W	Access Panel and Guard Assembly	Models HSEBXFGW171FW28, HSER17*F2902, HSET17*F2902, HSEY17*F2802, HSEY17*F2902, NSE917*F3022, NSEBXFGW301NW22, SSE807*F3000 and SSE917*F3000 starting Serial No. 1303025315
	514252Q	Access Panel and Guard Assembly	Models HSEBXFGW171FW28, HSER17*F2902, HSET17*F2902, HSEY17*F2802, HSEY17*F2902, NSE917*F3022, NSEBXFGW301NW22, SSE807*F3000 and SSE917*F3000 starting Serial No. 1303025315
9	56079	Panel Locator	
10	39733	Screw	
11	502804	Clean Lint Label	Models JSE807*F4350, JSE907*F4350, JSG809*F3060, JSG909*F3060, SSE007*F4350, SSE117*F4350, SSE417*F4350, SSE807*F4350, SSE917*F4350, SSEF17*J4350, SSG119*F3058, SSG119*F3060, SSG419*F3058, SSG919*F3060, SSGF19*J3060 and SSGX19*F3060
12	514113	Door Catch Assembly	
13	500253	Caution Label	English/French; Models HSE117*F2802, HSE117*F2902, HSE517*F2802, HSE517*F2902, HSE717*F2802, HSE717*F2902, HSE917*F2802, HSE917*F2902, HSEB17*J2802, HSEB17*J2902, HSEF17*J2802, HSEF17*J2902, HSER17*F2802, HSER17*F2902, HSET17*F2802, HSET17*F2902, HSEX17*F2802, HSEX17*F2902, HSEY17*F2802, HSEY17*F2902, HSEY17*F99N2, HSEZ17*F2802, HSEZ17*F2902, HSG119*F0902, HSG519*F0902, HSG719*F0902, HSG919*F0902, HSGB19*J0902, HSGF19*J0902, HSGR19*F0902, HSGT19*F0902, HSGX19*F0902, HSGY19*F0902 and HSGZ19*F0902
	502825	Warning Label	Spanish; Model SSG919*F3028
	514226	Warning Label	Models HSEBXFGW131DW01, HSEBXFGW541DW01, SSEBXFGW131DW01 and SSEBXFGW541DW01
	500281	Warning/Caution Label	English; All other models
	14	510186	Hinge Hole Plug
15	803323	Nameplate Overlay	Models JSEBEFGW301EW01 and JSGBEFGW301EW01

* Add Letter To Designate Color. L - Almond Q - Bisque W - White

Front Panel Assembly

All Models Except JSE807*F4350, JSE907*F4350, JSG809*F3060, JSG909*F3060, SSE007*F3000, SSE007*F4350, SSE107*G3018, SSE807*F3000, SSE807*F4350, SSE807*G3018, SSE907*G3018, SSEA07*G3018, SSEX07*G3018, SSG109*M3013, SSG909*M3013 and SSGX09*M3013



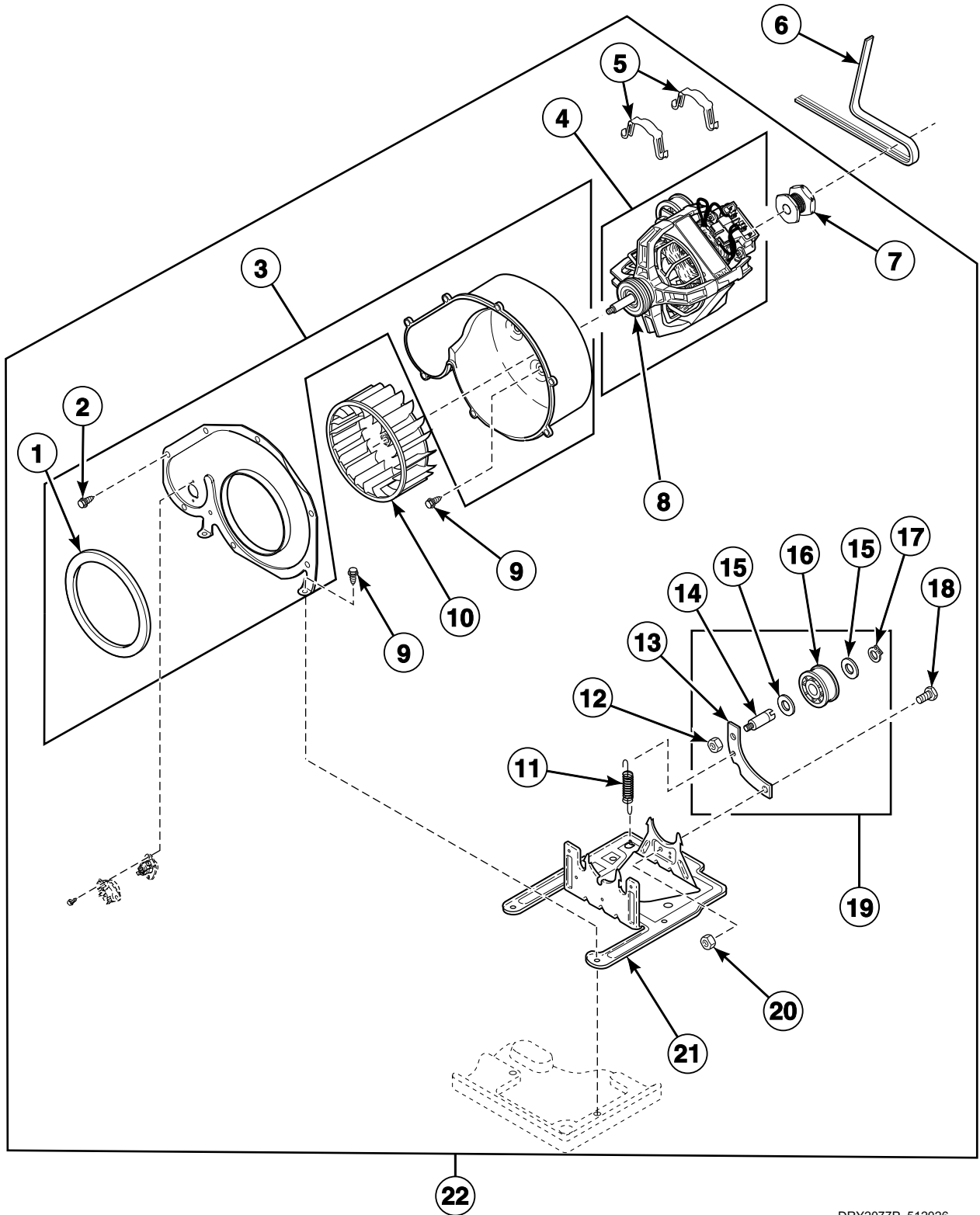
DRY2179PA_512026

Front Panel Assembly

REF	PART NO.	DESCRIPTION	COMMENTS
1	513781W	Front Panel Assembly	Models HSEBXFGW171FW28, HSER17*F2902, HSET17*F2902, HSEY17*F2802, HSEY17*F2902, NSE917*F3022, NSEBXFGW301NW22 and SSE917*F3000 through Serial No. 1303025314; All other models

* Add Letter To Designate Color. L - Almond Q - Bisque W - White

Motor, Exhaust Fan and Belt



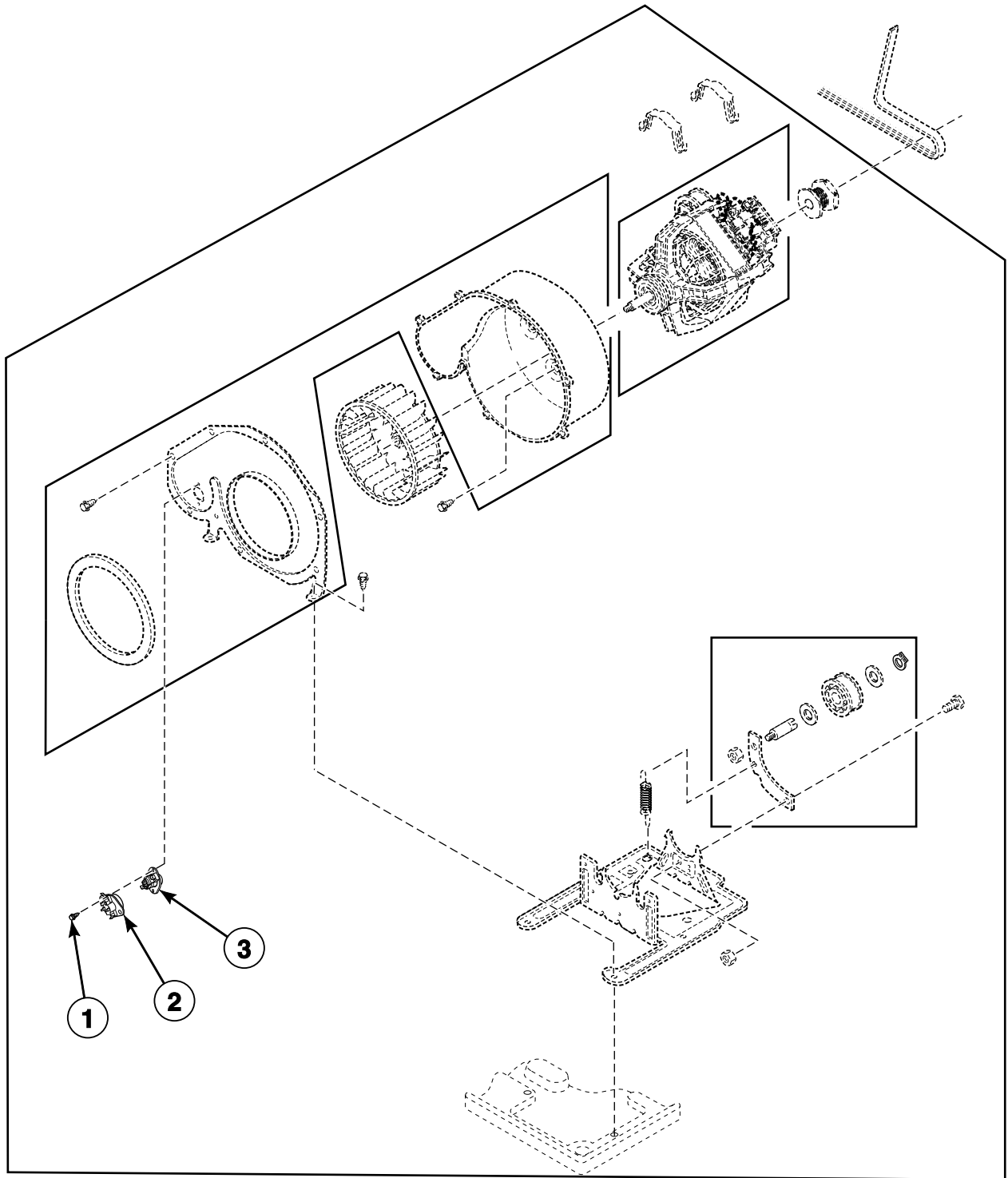
DRY2077P_512026

Motor, Exhaust Fan and Belt

REF	PART NO.	DESCRIPTION	COMMENTS
	27604P	Anti-Seize Compound	Apply to motor shaft when installing blower fan assembly
1	510238P	Blower Housing Seal	
2	31260	Screw	
3	511969WP	Blower Housing	Includes items 1 and 2
4	505843P	Motor and Pulley Assembly	240 Volt/50 Hertz; Apply anti-seize compound to motor shaft when installing blower fan assembly; Includes item 8; Models JSE807*F4350, JSE907*F4350, JSEBEFGW301EW01, JSEBGF301EW01, JSG809*F3060, JSG909*F3060, JSGBEFGW301EW01, JSGBGF301EW01, NSE917*F3022, NSEBXFGW301NW22, NSG919*F3022, NSGBXFGW301NW22, SSE007*F3000, SSE007*F4350, SSE107*G3018, SSE117*F3000, SSE117*F4350, SSE117*G3018, SSE417*F3000, SSE417*F4350, SSE807*F3000, SSE807*F4350, SSE807*G3018, SSE907*G3018, SSE917*F3000, SSE917*F4350, SSEA07*G3018, SSEF17*J4350, SSEX07*G3018, SSG109*M3013, SSG119*F3000, SSG119*F3058, SSG119*F3060, SSG119*M3013, SSG419*F3000, SSG419*F3058, SSG909*M3013, SSG919*F3028, SSG919*F3060, SSGF19*J3060, SSGX09*M3013 and SSGX19*F3060
	505869P	Motor and Pulley Assembly	240 Volt/60 Hertz; Apply anti-seize compound to motor shaft when installing blower fan assembly; Includes item 8; Models HSEBXFGW541DW01, NSE817*F5422, NSE917*F5422, SSE117*F5412, SSEBXFGW541DW01, SSG119*F5412, SSG119*F5480, USE017*F5412 and USG019*F5412
	511629P	Motor and Pulley Assembly	120 Volt/60 Hertz; Apply anti-seize compound to motor shaft when installing blower fan assembly; Includes item 8; All other models
5	510180	Motor Mount Clamp	
6	511255P	Cylinder Belt	
7	500222	Motor Pulley	50 Hertz; Models JSE807*F4350, JSE907*F4350, JSEBEFGW301EW01, JSEBGF301EW01, JSG809*F3060, JSG909*F3060, JSGBEFGW301EW01, JSGBGF301EW01, NSE817*F5422, NSE917*F3022, NSE917*F5422, NSEBXFGW301NW22, NSG919*F3022, NSGBXFGW301NW22, SSE007*F3000, SSE007*F4350, SSE107*G3018, SSE117*F3000, SSE117*F4350, SSE117*G3018, SSE417*F3000, SSE417*F4350, SSE807*F3000, SSE807*F4350, SSE807*G3018, SSE907*G3018, SSE917*F3000, SSE917*F4350, SSEA07*G3018, SSEF17*J4350, SSEX07*G3018, SSG109*M3013, SSG119*F3000, SSG119*F3058, SSG119*F3060, SSG119*M3013, SSG419*F3000, SSG419*F3058, SSG909*M3013, SSG919*F3060, SSGF19*J3060, SSGX09*M3013 and SSGX19*F3060
	500011	Motor Pulley	60 Hertz; All other models
8	590P3	Motor Hub Ring Kit	
9	503688	Screw	
10	510139P	Blower Fan Assembly	Apply anti-seize compound to motor shaft when installing blower fan assembly
11	510185	Idler Spring	
12	56156	Nut	
13	510133	Idler Lever	
14	56461P	Shaft	
15	52549	Washer	
16	510142P	Idler Wheel and Bearing Assembly	
17	23748	Retaining Ring	
18	500824	Screw	
19	510158	Idler Lever and Wheel Assembly	Includes items 12-17
20	52566	Nut	
21	510060	Motor Mount	
22	510717P	Blower and Fan Kit	Includes items 1-5 and 7-21

* Add Letter To Designate Color. L - Almond Q - Bisque W - White

Thermostat and Thermistor



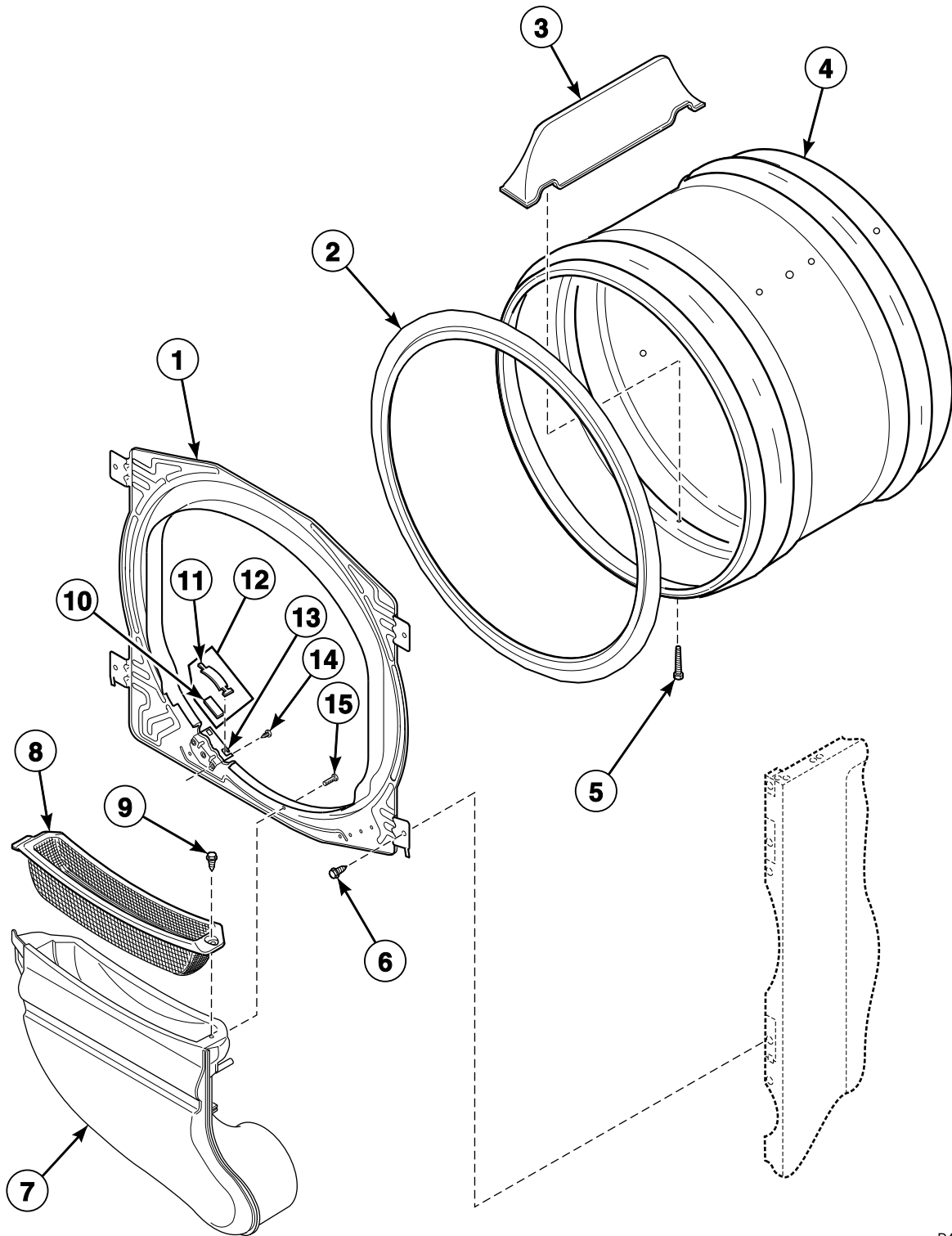
DRY2077PA_512026

Thermostat and Thermistor

REF	PART NO.	DESCRIPTION	COMMENTS
1	502535	Screw	
2	504515	Thermostat	Green; Models HSE117*F2802, HSE117*F2902 and HSG119*F0902 through Serial No. 0404
	512005	Thermostat	Green/White; Models HSE117*F2802, HSE117*F2902 and HSG119*F0902 starting Serial No. 0404
	511887	Thermostat	Tan/White; Models JSE807*F4350, JSG809*F3060, NSE817*F5422, SSE007*F3000, SSE007*F4350, SSE107*G3018, SSE117*F3000, SSE117*F4350, SSE117*F5412, SSE117*G3018, SSE807*F3000, SSE807*F4350, SSE807*G3018, SSG109*M3013, SSG119*F3000, SSG119*F3058, SSG119*F3060, SSG119*F5412, SSG119*F5480, SSG119*M3013, USE017*F5412 and USG019*F5412
	510523	Thermistor Assembly	Black; Models HSE517*F2802, HSE517*F2902, HSE717*F2802, HSE717*F2902, HSE917*F2802, HSE917*F2902, HSEB17*J2802, HSEB17*J2902, HSEBXFGW131DW01, HSEBXFGW171FW28, HSEBXFGW541DW01, HSEF17*J2802, HSEF17*J2902, HSER17*F2802, HSER17*F2902, HSET17*F2802, HSET17*F2902, HSEX17*F2802, HSEX17*F2902, HSEY17*F2802, HSEY17*F2902, HSEY17*F99N2, HSEZ17*F2802, HSEZ17*F2902, HSG519*F0902, HSG719*F0902, HSG919*F0902, HSGB19*J0902, HSGF19*J0902, HSGR19*F0902, HSGT19*F0902, HSGX19*F0902, HSGY19*F0902, HSGZ19*F0902, NSE917*F5422, SSEBXFGW131DW01 and SSEBXFGW541DW01
	502366	Thermistor Assembly	50 Hertz; Models JSE907*F4350, JSEBEFGW301EW01, JSEBGFGW301EW01, JSG909*F3060, JSGBEFGW301EW01, JSGBGFGW301EW01, NSE917*F3022, NSEBXFGW301NW22, NSG919*F3022, NSGBXFGW301NW22, SSE417*F3000, SSE417*F4350, SSE907*G3018, SSE917*F3000, SSE917*F4350, SSEA07*G3018, SSEF17*J4350, SSEX07*G3018, SSG419*F3000, SSG419*F3058, SSG909*M3013, SSG919*F3028, SSG919*F3060, SSGF19*J3060, SSGX09*M3013 and SSGX19*F3060
3	M411941	Manual Reset Thermostat	Models JSG809*F3060, JSG909*F3060, SSG119*F3060, SSG919*F3060, SSGF19*J3060 and SSGX19*F3060

* Add Letter To Designate Color. L - Almond Q - Bisque W - White

Front Bulkhead, Airduct, Felt Seal and Cylinder

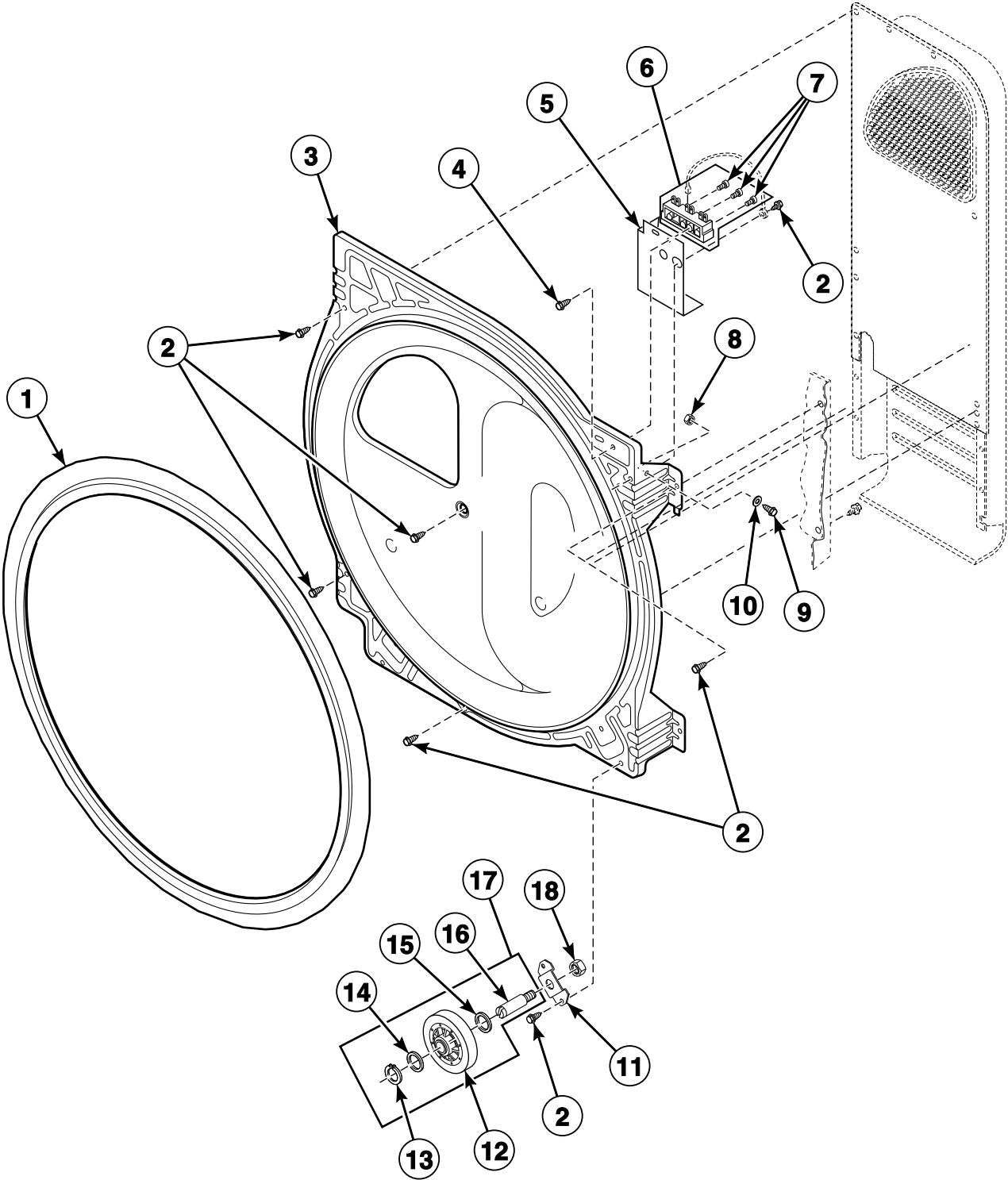


D402P_512026

Front Bulkhead, Airduct, Felt Seal and Cylinder

REF	PART NO.	DESCRIPTION	COMMENTS
1	510266P	Front Bulkhead Assembly	Unpainted; Includes items 2, 10, 11, 13 and 14
2	510207P	Cylinder Seal Assembly	
	511637P	Adhesive	Apply to cylinder seal
	RB170001	Seal Kit	Includes 2 cylinder seals, 510238P Blower Housing Seal and 511637P Adhesive
3	510102W	Cylinder Baffle	Models HSEBXFGW171FW28, HSER17*F2902, HSET17*F2902, HSEY17*F2802, HSEY17*F2902, NSE917*F3022, NSEBXFGW301NW22, SSE807*F3000 and SSE917*F3000 through Serial No. 1303025314; All other models
	510102LG	Cylinder Baffle	Models HSEBXFGW171FW28, HSER17*F2902, HSET17*F2902, HSEY17*F2802, HSEY17*F2902, NSE917*F3022, NSEBXFGW301NW22, SSE807*F3000 and SSE917*F3000 starting Serial No. 1303025315
4	510265WP	Cylinder Assembly	Galvanized; Includes item 3; Models HSEBXFGW171FW28, HSER17*F2902, HSET17*F2902, HSEY17*F2802, HSEY17*F2902, NSE917*F3022, NSEBXFGW301NW22, SSE807*F3000 and SSE917*F3000 through Serial No. 1303025314; All other models
	510265LG	Cylinder Assembly	Models HSEBXFGW171FW28, HSER17*F2902, HSET17*F2902, HSEY17*F2802, HSEY17*F2902, NSE917*F3022, NSEBXFGW301NW22, SSE807*F3000 and SSE917*F3000 starting Serial No. 1303025315
5	62588	Screw	
6	503688	Screw	
7	510151W	Air Duct Assembly	Models HSEBXFGW171FW28, HSER17*F2902, HSET17*F2902, HSEY17*F2802, HSEY17*F2902, NSE917*F3022, NSEBXFGW301NW22, SSE807*F3000 and SSE917*F3000 through Serial No. 1303025314; All other models
	510151LG	Air Duct Assembly	Models HSEBXFGW171FW28, HSER17*F2902, HSET17*F2902, HSEY17*F2802, HSEY17*F2902, NSE917*F3022, NSEBXFGW301NW22, SSE807*F3000 and SSE917*F3000 starting Serial No. 1303025315
8	503980W	Lint Filter	Models HSEBXFGW171FW28, HSER17*F2902, HSET17*F2902, HSEY17*F2802, HSEY17*F2902, NSE917*F3022, NSEBXFGW301NW22, SSE807*F3000 and SSE917*F3000 through Serial No. 1303025314; All other models
	503980LG	Lint Filter	Models HSEBXFGW171FW28, HSER17*F2902, HSET17*F2902, HSEY17*F2802, HSEY17*F2902, NSE917*F3022, NSEBXFGW301NW22, SSE807*F3000 and SSE917*F3000 starting Serial No. 1303025315
9	501285	Screw	
10	510189	Felt Pad	
11	510188	Cylinder Glide	
12	RB170003	Glide Kit	Includes items 10 and 11
13	510145	Cylinder Glide Bracket	
14	52864	Screw	
15	505295	Screw	

Rear Bulkhead, Felt Seal, Cylinder Roller and Terminal Block



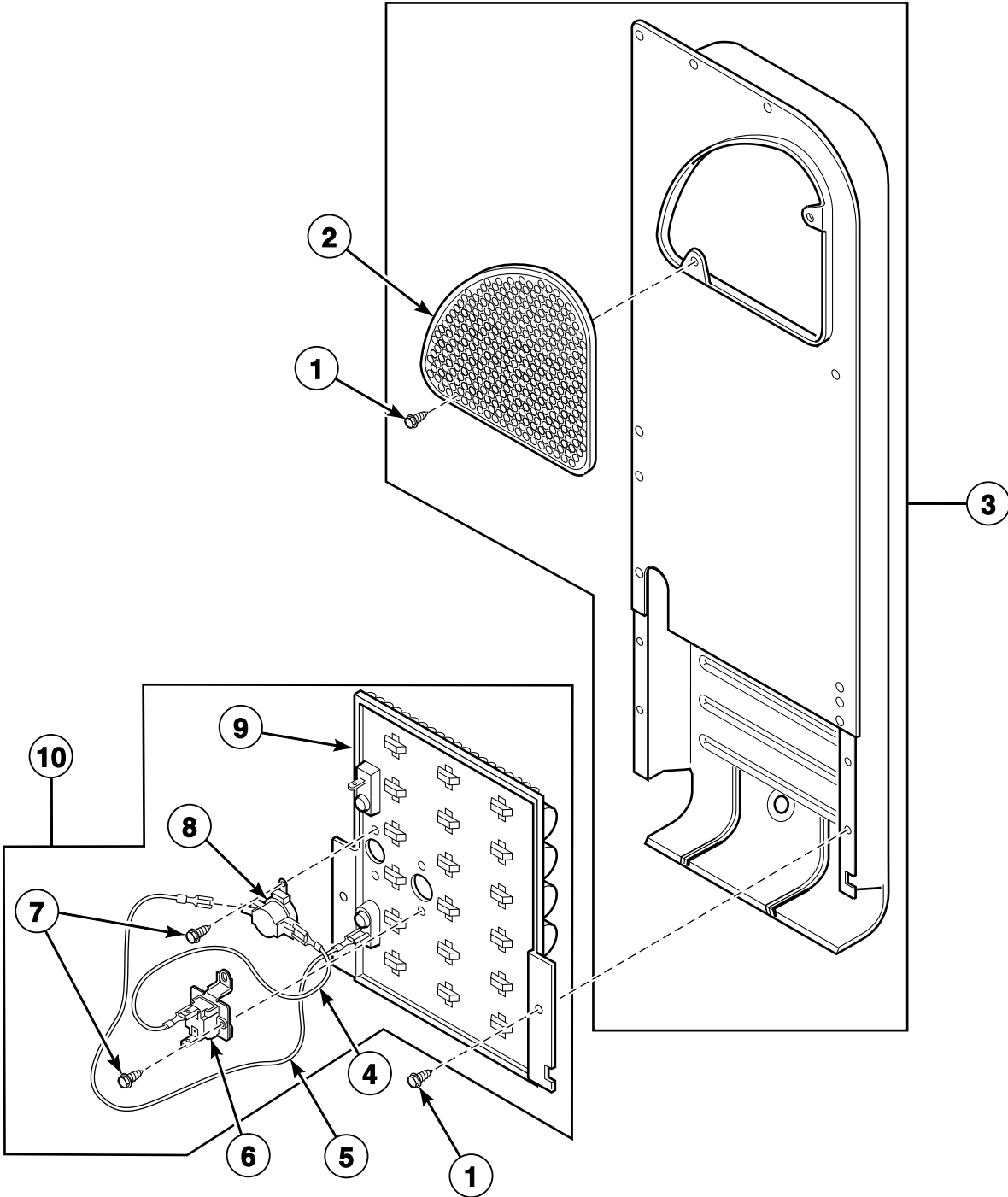
DRY1774P_512026

Rear Bulkhead, Felt Seal, Cylinder Roller and Terminal Block

REF	PART NO.	DESCRIPTION	COMMENTS
1	510207P	Cylinder Seal Assembly	
	511637P	Adhesive	Apply to cylinder seal
	RB170001	Seal Kit	Includes 2 cylinder seals, 510238P Blower Housing Seal and 511637P Adhesive
2	503688	Screw	
3	511082P	Rear Bulkhead Assembly	Galvanized; Includes item 1
4	501285	Screw	All models except SSG119*F5412, SSG119*F5480 and USG019*F5412
5	510237	Terminal Block Shield	Electric models
6	510190P	Terminal Block Assembly	Includes 3 of item 7; All models except SSG119*F5412, SSG119*F5480 and USG019*F5412
7	61199	Screw	
8	28447	Nut	
9	28448	Screw	
10	28449	Washer	
11	510100	Cylinder Roller Bracket	
12	510708P	Cylinder Roller	
13	23748	Retaining Ring	
14	52549	Washer	
15	504082	Washer	
16	56461P	Shaft	
17	RB170002	Roller Kit	Includes items 12-16
18	56156	Nut	

* Add Letter To Designate Color. L - Almond Q - Bisque W - White

Heater Duct and Element Assembly - Electric Model Dryers



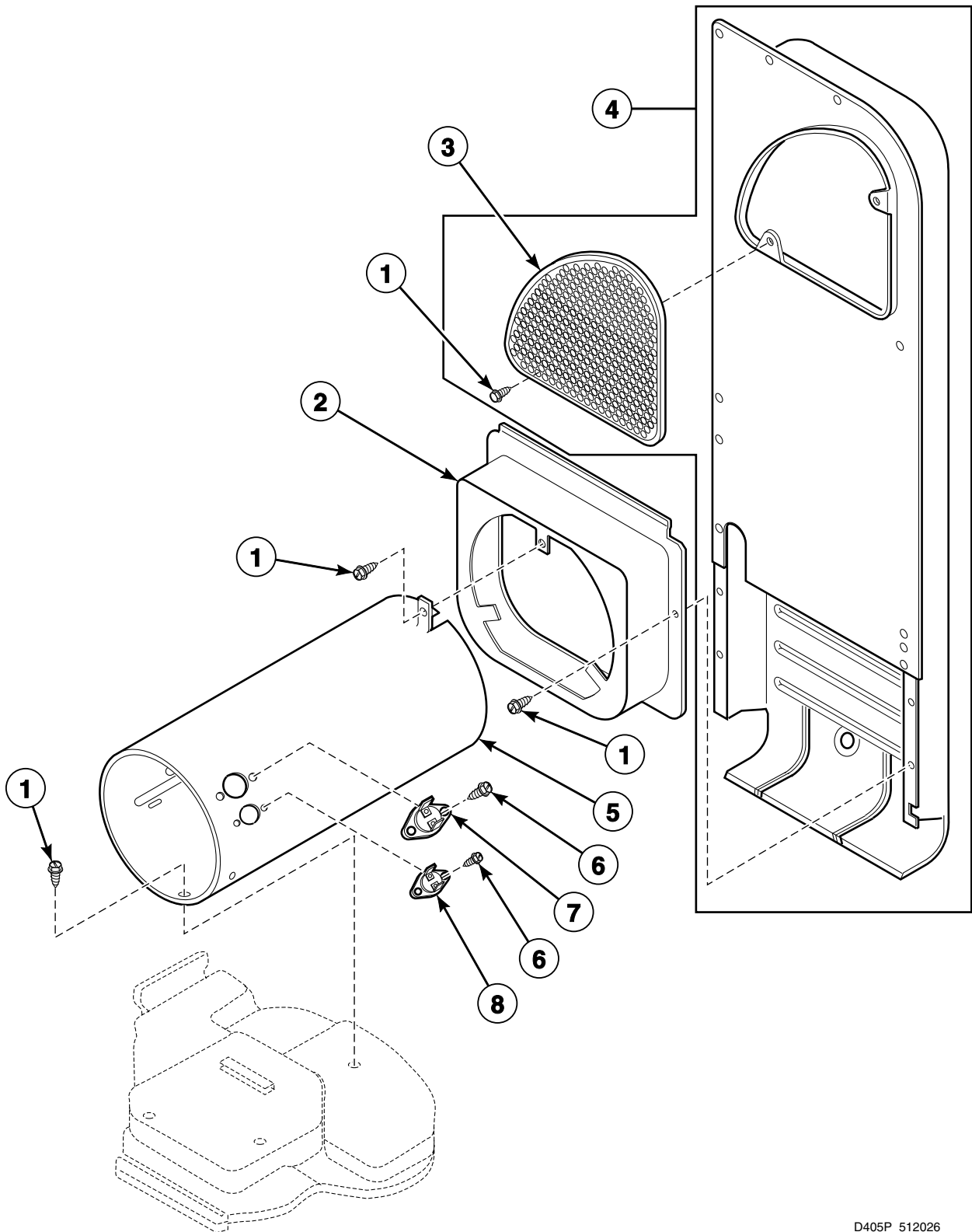
DRY1789P_512026

Heater Duct and Element Assembly - Electric Model Dryers

REF	PART NO.	DESCRIPTION	COMMENTS
1	503688	Screw	
2	500820	Outlet Cover	
3	510025P	Heater Duct and Screw Assembly	Includes items 1 and 2
4	510528	Wire Assembly	Orange; Thermostat jumper; Attaches to heater assembly
5	510527	Wire Assembly	Black; Fuse jumper; Attaches to heater assembly
6	511412	Thermal Fuse Assembly	
7	23222	Screw	
8	510701	Limit Thermostat	
9	510326P	Heater Assembly	240 Volt/50 Hertz; 4.8 kW; Models JSEBEFGW301EW01, JSEBGF301EW01, NSE917*F3022, NSEBXFGW301NW22, SSE007*F3000, SSE107*G3018, SSE117*F3000, SSE117*G3018, SSE417*F3000, SSE807*F3000, SSE807*G3018, SSE907*G3018, SSE917*F3000, SSEA07*G3018 and SSEX07*G3018
	510327P	Heater Assembly	240 Volt/50 Hertz; 4 kW; Models JSE807*F4350, JSE907*F4350, SSE007*F4350, SSE117*F4350, SSE417*F4350, SSE807*F4350, SSE917*F4350 and SSEF17*J4350
	510330P	Heater Assembly	208 Volt/60 Hertz; 4.25 kW; Models HSE117*F2902, HSE517*F2902, HSE717*F2902, HSE917*F2802, HSE917*F2902, HSEB17*J2902, HSEF17*J2902, HSER17*F2902, HSET17*F2902, HSEX17*F2902, HSEY17*F2902, HSEY17*F99N2 and HSEZ17*F2902
	510329P	Heater Assembly	240 Volt/60 Hertz; 5.35 kW; Models HSEBXFGW131DW01, HSEBXFGW171FW28, HSEBXFGW541DW01, SSEBXFGW131DW01 and SSEBXFGW541DW01
	510324P	Heater Assembly	240 Volt/60 Hertz; 5 kW; All other models
10	965P3	Heater Kit	208 Volt/60 Hertz; 4.25 kW; Includes items 4-9; Models HSE117*F2902, HSE517*F2902, HSE717*F2902, HSE917*F2802, HSE917*F2902, HSEB17*J2902, HSEF17*J2902, HSER17*F2902, HSET17*F2902, HSEX17*F2902, HSEY17*F2902, HSEY17*F99N2 and HSEZ17*F2902
	61929	Heater Kit Assembly	240 Volt/50 Hertz; 4.8 kW; Models JSEBEFGW301EW01, JSEBGF301EW01, NSE917*F3022, NSEBXFGW301NW22, SSE007*F3000, SSE107*G3018, SSE117*F3000, SSE117*G3018, SSE417*F3000, SSE807*F3000, SSE807*G3018, SSE907*G3018, SSE917*F3000, SSEA07*G3018 and SSEX07*G3018
	61930	Heater Kit Assembly	240 Volt/50 Hertz; 4 kW; Models JSE807*F4350, JSE907*F4350, SSE007*F4350, SSE117*F4350, SSE417*F4350, SSE807*F4350, SSE917*F4350 and SSEF17*J4350
	964P3	Heater Kit	240 Volt/60 Hertz; 5.35 kW; Models HSEBXFGW131DW01, HSEBXFGW171FW28, HSEBXFGW541DW01, SSEBXFGW131DW01 and SSEBXFGW541DW01
	61927	Heater Kit Assembly	240 Volt/60 Hertz; 5 kW; All other models

* Add Letter To Designate Color. L - Almond Q - Bisque W - White

Heater Duct Assembly - Gas Model Dryers



D405P_512026

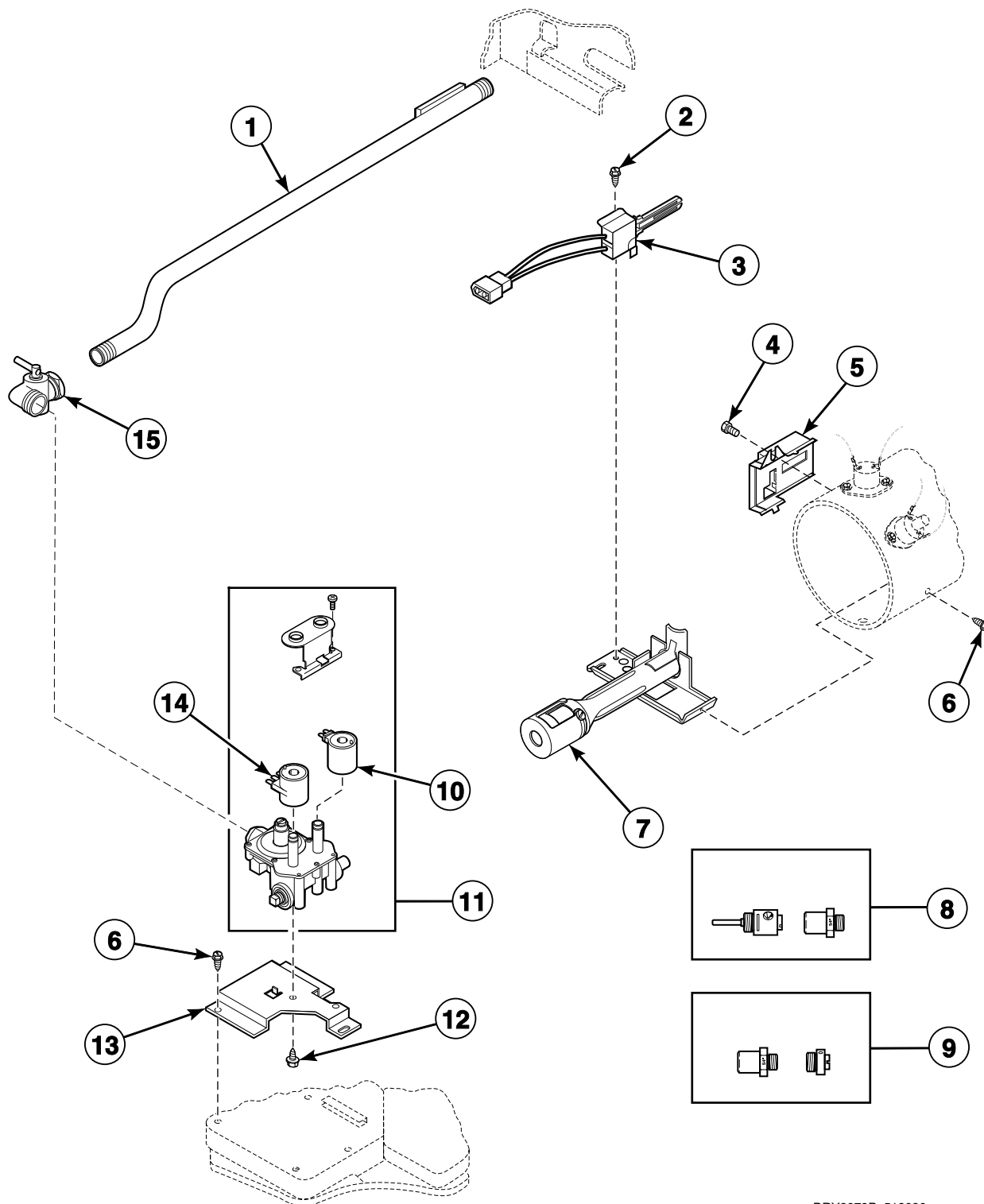
Heater Duct Assembly - Gas Model Dryers

REF	PART NO.	DESCRIPTION	COMMENTS
1	503688	Screw	
2	510101	Heat Duct Shroud	
3	500820	Outlet Cover	
4	510025P	Heater Duct and Screw Assembly	Includes items 1 and 3
5	510132	Combustion Duct	Models HSG519*F0902, HSG719*F0902, HSG919*F0902, HSGB19*J0902, HSGF19*J0902, HSGR19*F0902, HSGT19*F0902, HSGX19*F0902, HSGY19*F0902, HSGZ19*F0902, SSG119*F3058 and SSG419*F3058 starting Serial No. 0803010126
	510131	Combustion Duct	Models HSG519*F0902, HSG719*F0902, HSG919*F0902, HSGB19*J0902, HSGF19*J0902, HSGR19*F0902, HSGT19*F0902, HSGX19*F0902, HSGY19*F0902, HSGZ19*F0902, SSG119*F3058 and SSG419*F3058 through Serial No. 0803010125; Models HSG119*F0902, JSG809*F3060, JSG909*F3060, JSGBEFGW301EW01, JSGBGFGW301EW01, NSG919*F3022, NSGBXFGW301NW22, SSG109*M3013, SSG119*F3000, SSG119*F3060, SSG119*F5412, SSG119*F5480, SSG119*M3013, SSG419*F3000, SSG909*M3013, SSG919*F3028, SSG919*F3060, SSGF19*J3060, SSGX09*M3013, SSGX19*F3060 and USG019*F5412
6	51782	Screw	
7	510702	Limit Thermostat	Black; Auto reset
8	510703	Thermostat	Manual reset; Models HSG519*F0902, HSG719*F0902, HSG919*F0902, HSGB19*J0902, HSGF19*J0902, HSGR19*F0902, HSGT19*F0902, HSGX19*F0902, HSGY19*F0902, HSGZ19*F0902, SSG119*F3058 and SSG419*F3058 starting Serial No. 0803010126

* Add Letter To Designate Color. L - Almond Q - Bisque W - White

Gas Valve, Igniter and Gas Conversion Kits

Models HSG119*F0902, HSG519*F0902, HSG719*F0902, HSG919*F0902, HSG19*J0902, HSGF19*J0902, HSGR19*F0902, HSGT19*F0902, HSGX19*F0902, HSGY19*F0902, HSGZ19*F0902, JSG809*F3060, JSG909*F3060, JSGBFGW301EW01, JSGBGFGW301EW01, NSG919*F3022, NSGBXFGW301NW22, SSG109*M3013, SSG119*F3000, SSG119*F3060, SSG119*F5412, SSG119*F5480, SSG119*M3013, SSG419*F3000, SSG909*M3013, SSG919*F3028, SSG919*F3060, SSGF19*J3060, SSGX09*M3013, SSGX19*F3060 and USG019*F5412



DRY2079P_512026

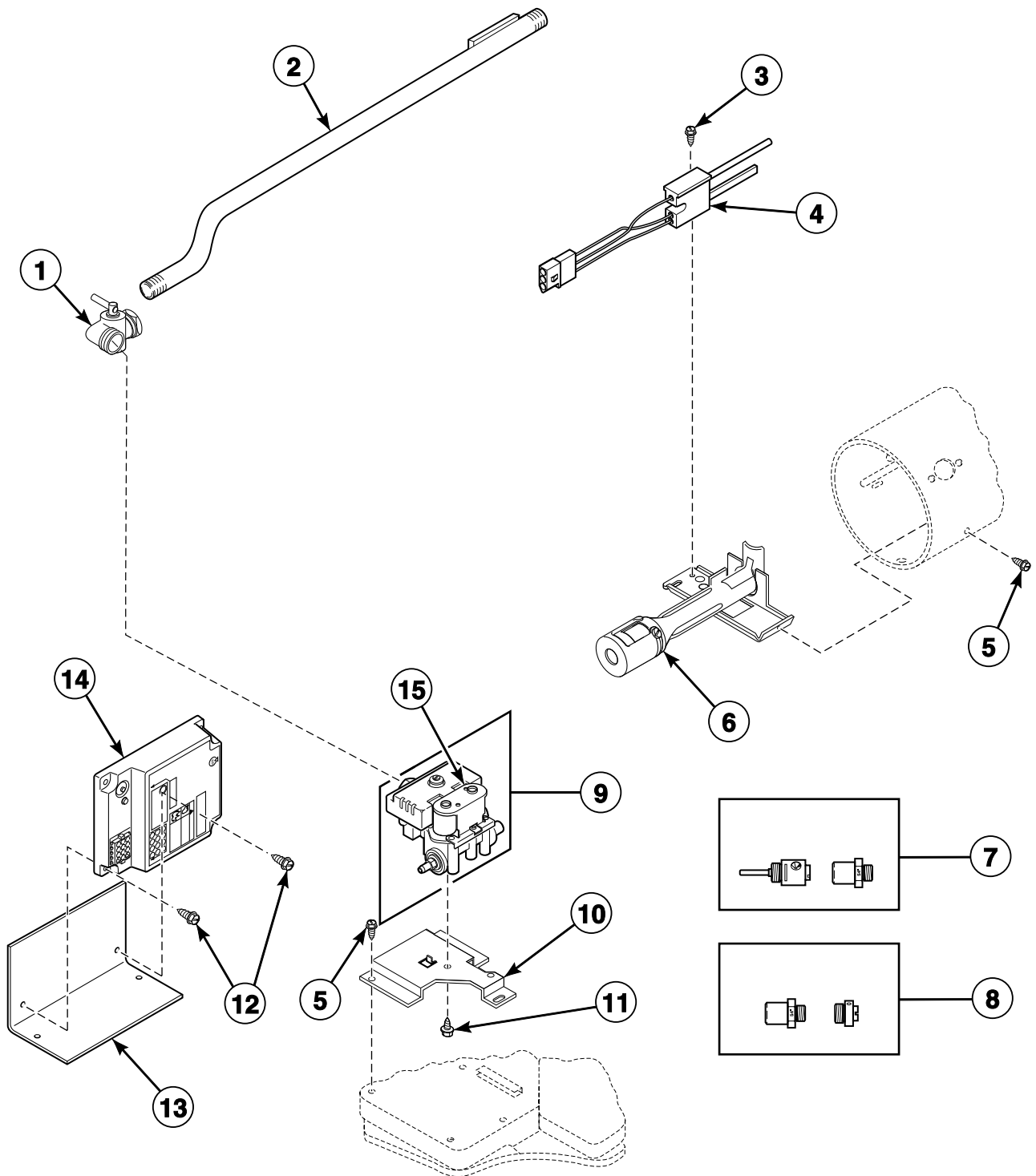
Gas Valve, Igniter and Gas Conversion Kits

REF	PART NO.	DESCRIPTION	COMMENTS
1	510204	Lead-In Pipe Assembly	
2	51782	Screw	
3	510184P	Igniter and Bracket Assembly	
4	23222	Screw	
5	510213	Sensor	
6	503688	Screw	
7	510149P	Burner Assembly	
8	600P3	L.P. Conversion Kit	Used to convert dryers from Natural Gas (N.G.) or Mixed Gas to Liquid Petroleum Gas (L.P.) for 25,000 Btu; Models NSGBXFGW301NW22, SSG109*M3013, SSG119*M3013, SSG909*M3013 and SSGX09*M3013
	458P3	L.P. Conversion Kit	Used to convert dryers from N.G. or Mixed Gas to L.P. for 25,000 Btu; All other models
9	459P3	N.G. Conversion Kit	Used to convert dryers from L.P. to N.G. or Mixed Gas for 25,000 Btu; All models except NSGBXFGW301NW22, SSG109*M3013, SSG119*M3013, SSG909*M3013 and SSGX09*M3013
10	59063B	Secondary Coil	50 Hertz; Models JSG809*F3060, JSG909*F3060, JSGBEFGW301EW01, JSGBGFGW301EW01, NSG919*F3022, NSGBXFGW301NW22, SSG109*M3013, SSG119*F3000, SSG119*F3060, SSG119*M3013, SSG419*F3000, SSG909*M3013, SSG919*F3028, SSG919*F3060, SSGF19*J3060, SSGX09*M3013 and SSGX19*F3060
	58804B	Secondary Coil	60 Hertz; All other models
11	60443P	Valve Assembly	50 Hertz; 25,000 Btu; Includes items 10 and 14; Models JSG809*F3060, JSG909*F3060, JSGBEFGW301EW01, JSGBGFGW301EW01, NSG919*F3022, NSGBXFGW301NW22, SSG109*M3013, SSG119*F3000, SSG119*F3060, SSG119*M3013, SSG419*F3000, SSG909*M3013, SSG919*F3028, SSG919*F3060, SSGF19*J3060, SSGX09*M3013 and SSGX19*F3060
	510506P	Gas Valve Assembly	60 Hertz; 22,500 Btu; Includes items 10 and 14; Models SSG119*F5412, SSG119*F5480 and USG019*F5412
	60353P	Gas Valve Assembly	60 Hertz; 25,000 Btu; Includes items 10 and 14; All other models
12	56124	Screw	
13	510128	Gas Valve Mounting Bracket	
14	59063A	Booster and Holding Coil	50 Hertz; Models JSG809*F3060, JSG909*F3060, JSGBEFGW301EW01, JSGBGFGW301EW01, NSG919*F3022, NSGBXFGW301NW22, SSG109*M3013, SSG119*F3000, SSG119*F3060, SSG119*M3013, SSG419*F3000, SSG909*M3013, SSG919*F3028, SSG919*F3060, SSGF19*J3060, SSGX09*M3013 and SSGX19*F3060
	58804A	Booster and Holding Coil	60 Hertz; All other models
15	510205	Elbow Shut-Off Valve	

* Add Letter To Designate Color. L - Almond Q - Bisque W - White

Gas Valve, Igniter, Ignition Control and Gas Conversion Kits

Models SSG119*F3058 and SSG419*F3058



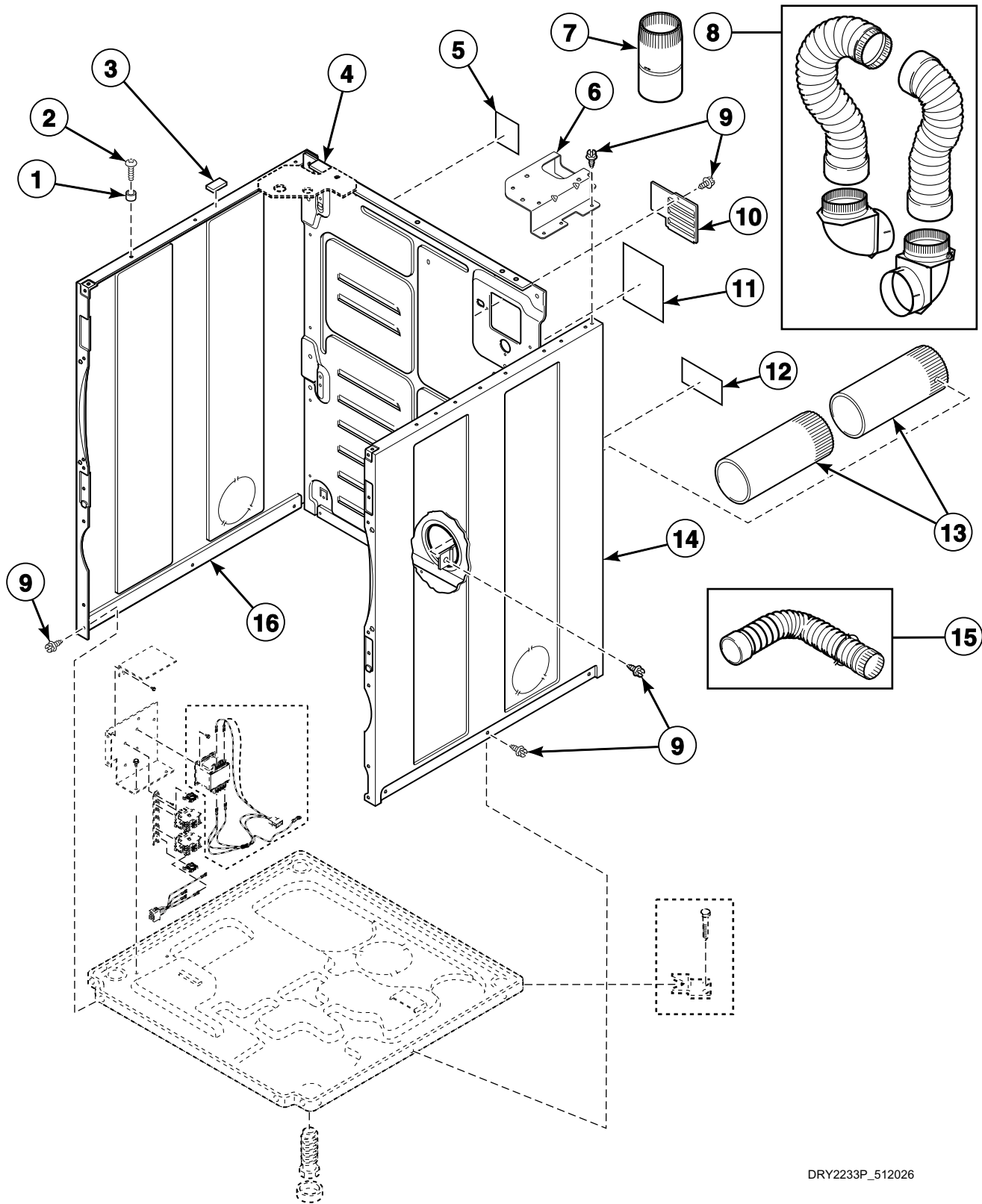
DRY2080P_512026

Gas Valve, Igniter, Ignition Control and Gas Conversion Kits

REF	PART NO.	DESCRIPTION	COMMENTS
1	510205	Elbow Shut-Off Valve	
2	510204	Lead-In Pipe Assembly	
3	51782	Screw	
4	502995P	Igniter And Sensor Assembly	
5	503688	Screw	
6	510149P	Burner Assembly	
7	458P3	L.P. Conversion Kit	Natural Gas (N.G.) to Liquid Petroleum Gas (L.P.); 25,000 Btu
8	459P3	N.G. Conversion Kit	L.P. to N.G.; 25,000 Btu
9	502478P	Gas Valve Assembly	Includes item 15
10	510128	Gas Valve Mounting Bracket	
11	56124	Screw	
12	502535	Screw	
13	502425	Ignition Control Bracket	
14	502994P	Igniter Control	
15	502423A	Main and Redundant Coil	240 Volt/50 Hertz

* Add Letter To Designate Color. L - Almond Q - Bisque W - White

Cabinet and Exhaust Duct



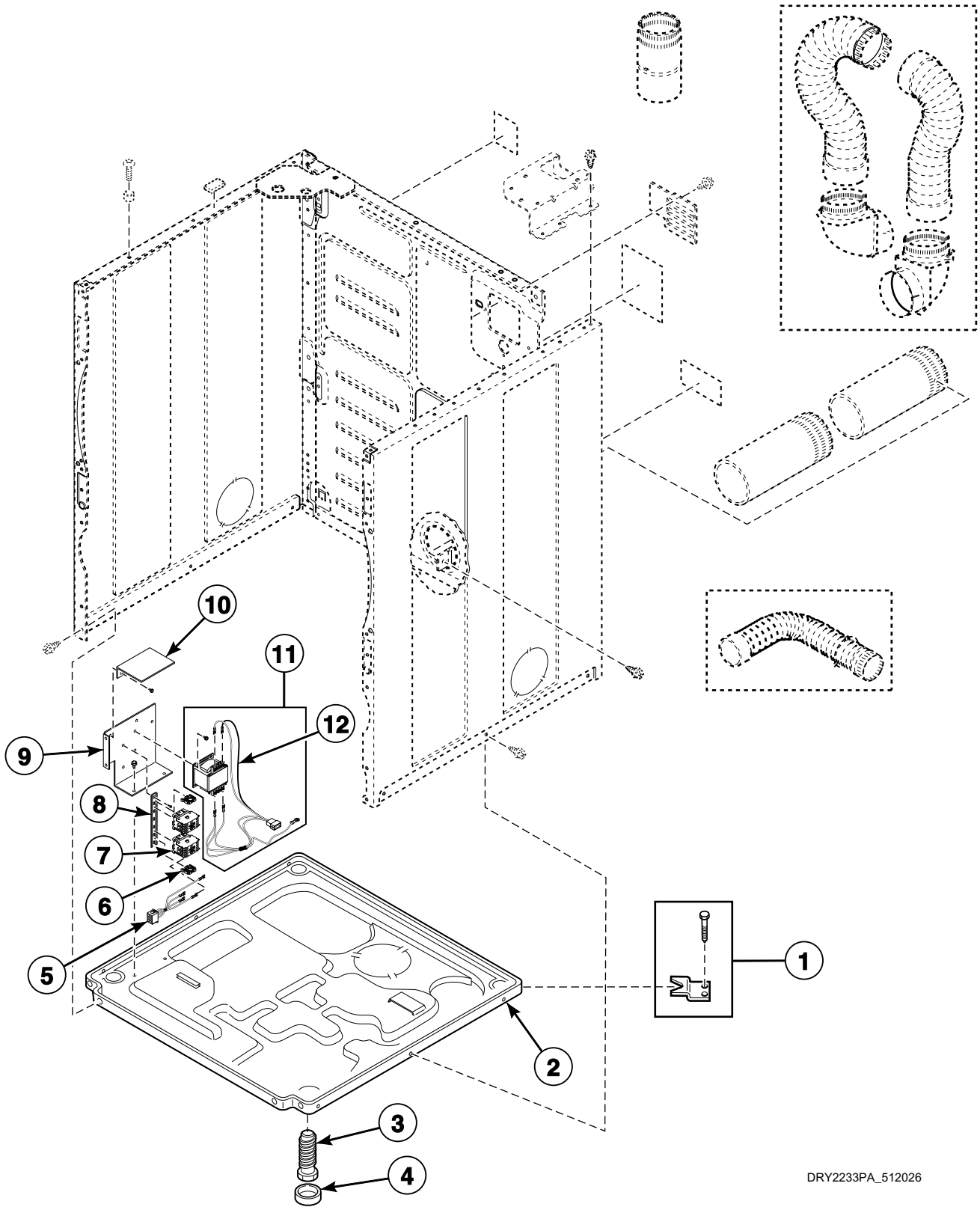
DRY2233P_512026

Cabinet and Exhaust Duct

REF	PART NO.	DESCRIPTION	COMMENTS
	122P4P	Porcelain Touch-Up Paint	White
	370P4P	Porcelain Touch-Up Paint	Bisque
	215P4P	Porcelain Touch-Up Paint	Almond
	513372	Label	Models HSE917*F2802, HSE917*F2902, HSER17*F2802, HSER17*F2902, HSET17*F2802, HSET17*F2902, HSEY17*F2802 and HSEY17*F2902
1	56079	Panel Locator	
2	39733	Screw	
3	56128	Bumper Pad	
4	510005P	Cabinet Rear Panel	
5	511004	Gas Clearance Label	
6	547P3	Coin Cabinet Hardware Kit	
7	58786	Damper	Use when connecting to a manifold vent system
8	521P3	Flexible Venting Kit	
9	503688	Screw	
10	510903	Access Panel Plate	
11	511005	Electric Clearance Label	Models HSEBXFGW171FW28, NSEBXFGW301NW22, SSE007*F3000 and SSE807*F3000
12	500497	Exhaust Warning Label	All models except HSEBXFGW131DW01, HSEBXFGW541DW01, JSEBEFGW301EW01, JSEBGF301EW01, JSGBEFGW301EW01, JSGBGF301EW01, NSG919*F3022, NSGBXFGW301NW22, SSE107*G3018, SSE117*G3018, SSE807*G3018, SSE907*G3018, SSEA07*G3018, SSEBXFGW131DW01, SSEBXFGW541DW01, SSEX07*G3018, SSG109*M3013, SSG119*M3013, SSG909*M3013 and SSGX09*M3013
13	510137	Exhaust Duct	Each dryer requires 2 pieces
14	510002WP	Cabinet Side Panel	White; Right
	510002LP	Cabinet Side Panel	Almond; Right
	510002QP	Cabinet Side Panel	Bisque; Right
15	528P3	Directional Exhaust Kit	Used to vent dryer out the sides or bottom
16	510001WP	Cabinet Side Panel	White; Left
	510001LP	Cabinet Side Panel	Almond; Left
	510001QP	Cabinet Side Panel	Bisque; Left

* Add Letter To Designate Color. L - Almond Q - Bisque W - White

Base



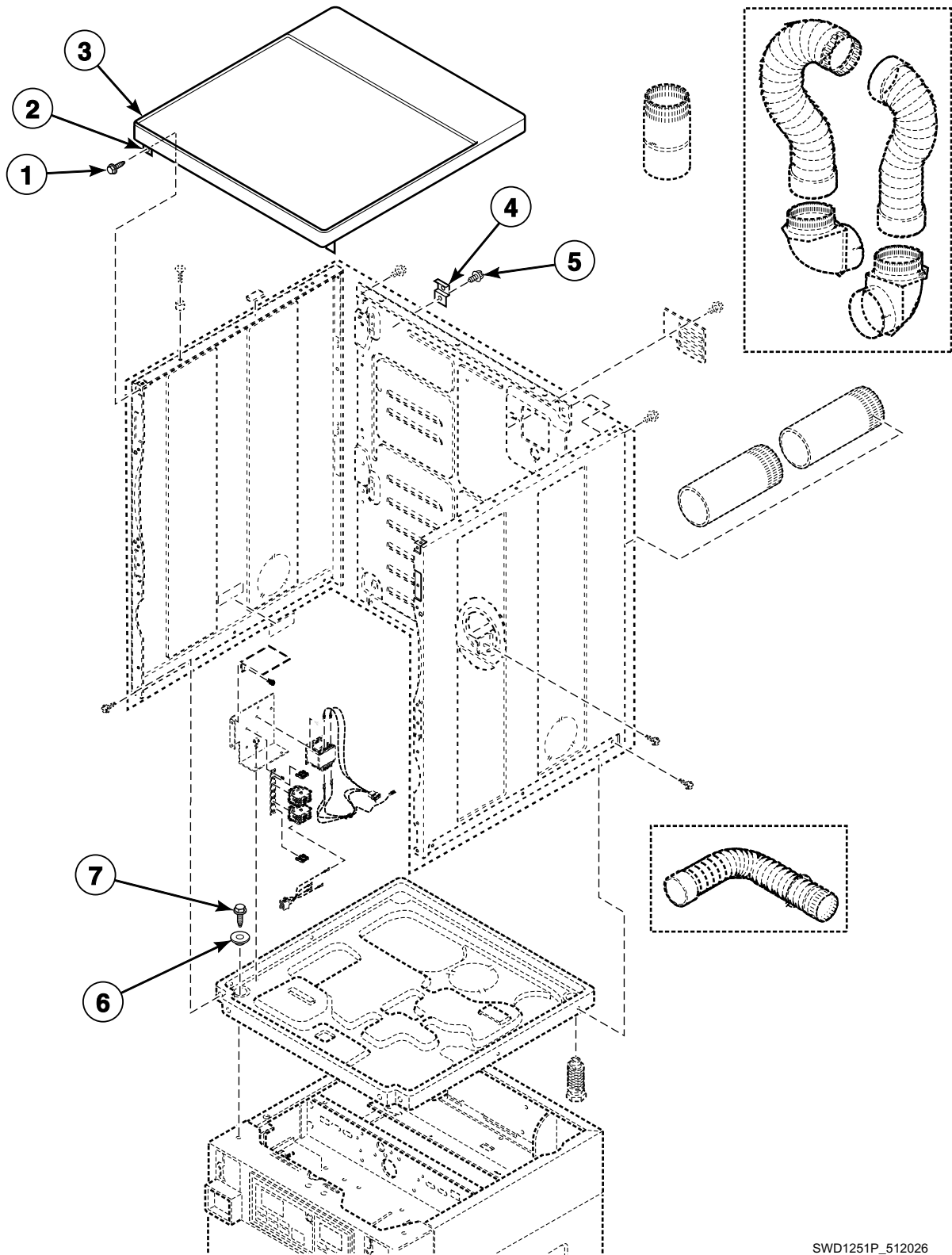
DRY2233PA_512026

Base

REF	PART NO.	DESCRIPTION	COMMENTS
1	526P3	Hold Down Kit	For mobile home installations
2	513901	Dryer Base	
3	510135	Leveling Leg	
4	501855	Rubber Foot	
5	511327	Harness Assembly	Models JSGBEFGW301EW01, JSGBGFGW301EW01, NSGBXFGW301NW22 and SSGX09*M3013
6	70121001	End Stop	
7	70323701P	Contactora	Models JSGBEFGW301EW01, JSGBGFGW301EW01, NSGBXFGW301NW22 and SSGX09*M3013
8	M412693	Din Rail	
9	511859	Contactora Bracket	Models JSG809*F3060, JSG909*F3060, JSGBEFGW301EW01, JSGBGFGW301EW01, NSG919*F3022, NSGBXFGW301NW22, SSG109*M3013, SSG119*F3000, SSG119*F3060, SSG119*F5412, SSG119*F5480, SSG119*M3013, SSG419*F3000, SSG909*M3013, SSG919*F3028, SSG919*F3060, SSGF19*J3060, SSGX09*M3013, SSGX19*F3060 and USG019*F5412
10	801101	Card Reader Shield	
11	511658P	Transformer Kit	Includes item 24; Models JSG809*F3060, JSG909*F3060, JSGBEFGW301EW01, JSGBGFGW301EW01, NSG919*F3022, NSGBXFGW301NW22, SSG109*M3013, SSG119*F3000, SSG119*F3060, SSG119*F5412, SSG119*F5480, SSG119*M3013, SSG419*F3000, SSG909*M3013, SSG919*F3028, SSG919*F3060, SSGF19*J3060, SSGX09*M3013, SSGX19*F3060 and USG019*F5412
12	511303	Wire Harness Assembly	Transformer adapter; Includes 502592 Fuse (3.15 Amp, 250 Volt); Models JSG809*F3060, JSG909*F3060, JSGBEFGW301EW01, JSGBGFGW301EW01, NSG919*F3022, NSGBXFGW301NW22, SSG109*M3013, SSG119*F3000, SSG119*F3060, SSG119*F5412, SSG119*F5480, SSG119*M3013, SSG419*F3000, SSG909*M3013, SSG919*F3028, SSG919*F3060, SSGF19*J3060, SSGX09*M3013, SSGX19*F3060 and USG019*F5412

* Add Letter To Designate Color. L - Almond Q - Bisque W - White

Cabinet Top



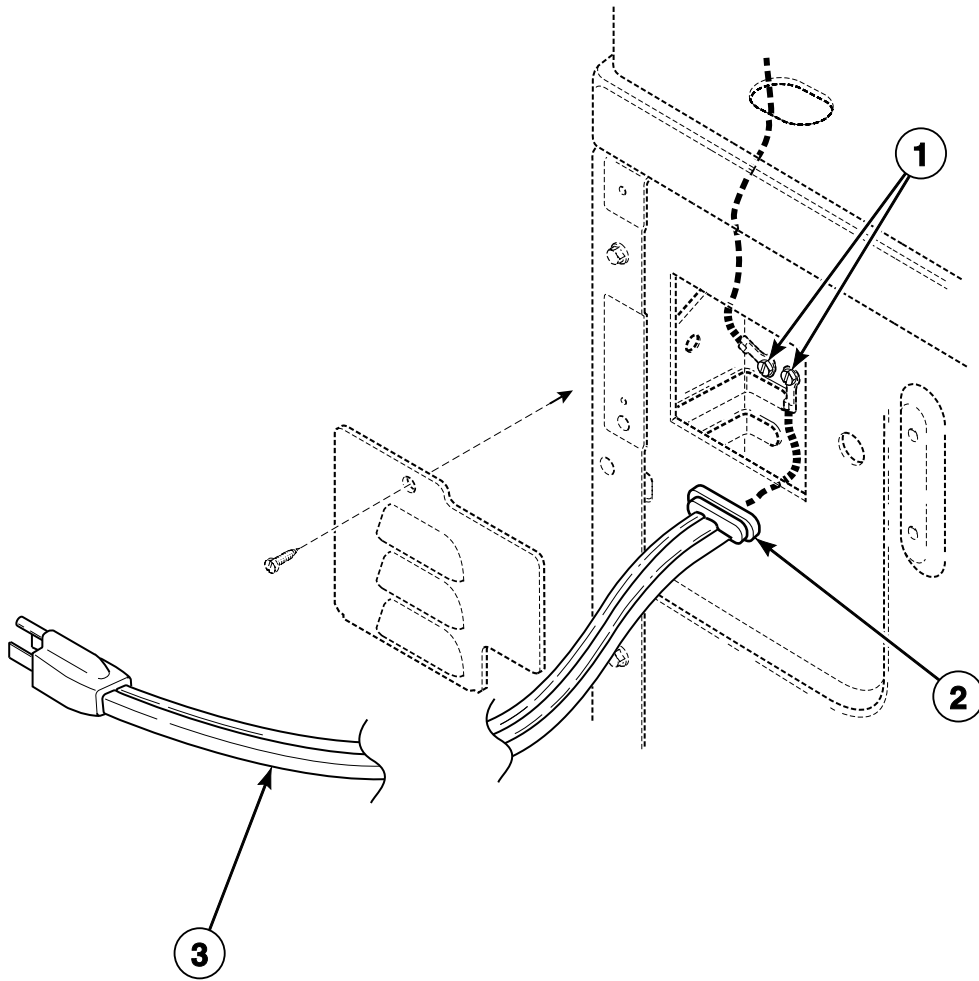
SWD1251P_512026

Cabinet Top

REF	PART NO.	DESCRIPTION	COMMENTS
1	503661	Screw	
2	510146	Bracket	
3	510032WP	Top Kit	White
	510032LP	Top Kit	Almond
	510032QP	Top Kit	Bisque
4	510136	Top Hinge	
5	503688	Screw	
6	501307	Washer	
7	36048	Screw	

* Add Letter To Designate Color. L - Almond Q - Bisque W - White

Power Cord



D408PE3A_512026

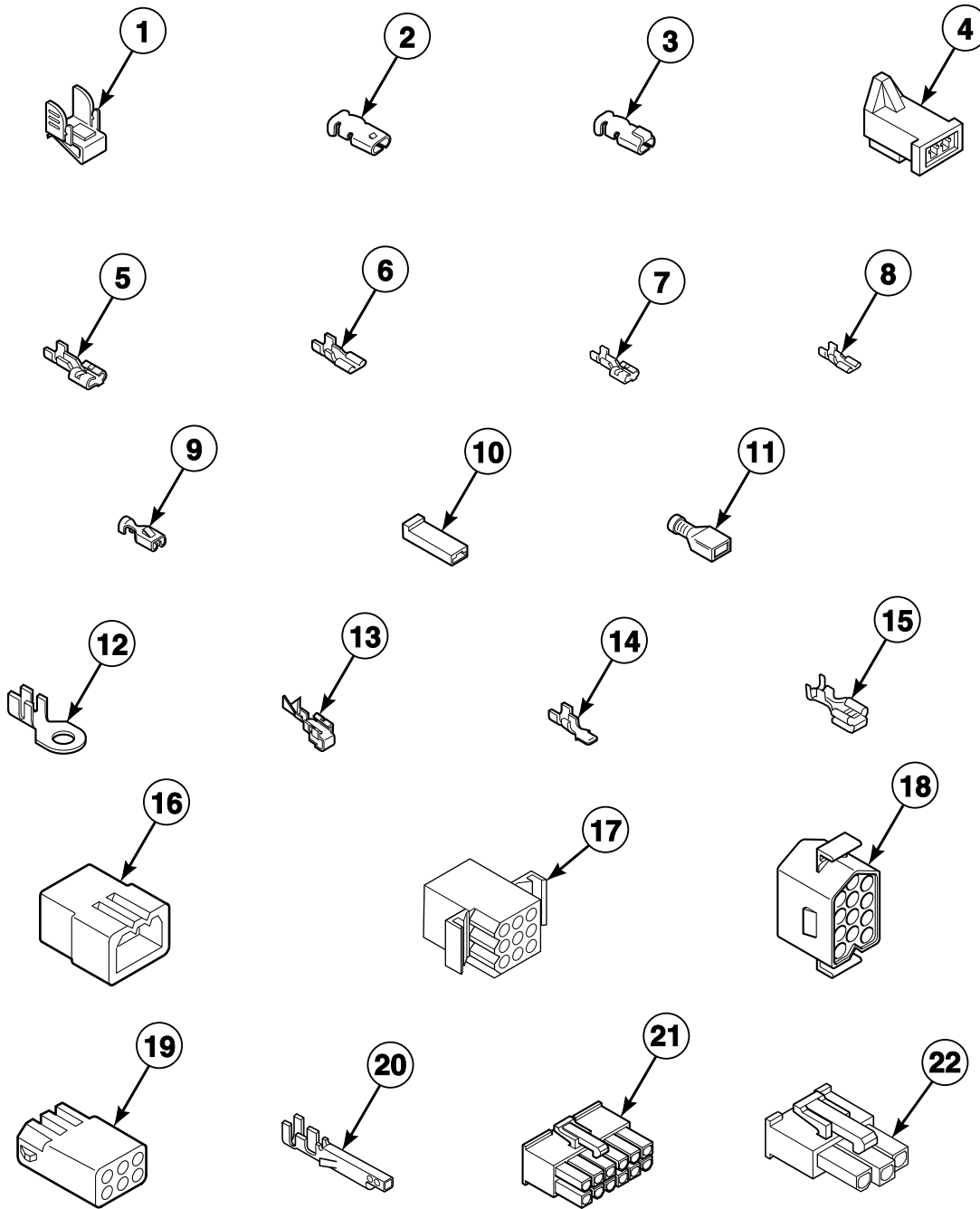
Power Cord

REF	PART NO.	DESCRIPTION	COMMENTS
	502496	Strain Relief Adapter	Models HSG119*F0902, HSG519*F0902, HSG719*F0902, HSG919*F0902, HSGB19*J0902, HSGF19*J0902, HSGR19*F0902, HSGT19*F0902, HSGX19*F0902, HSGY19*F0902, HSGZ19*F0902, JSE807*F4350, JSE907*F4350, JSG809*F3060, JSG909*F3060, JSGBEFGW301EW01, JSGBGFGW301EW01, NSEBXFGW301NW22, NSG919*F3022, NSGBXFGW301NW22, SSE007*F4350, SSE107*G3018, SSE117*F4350, SSE117*G3018, SSE417*F4350, SSE807*F4350, SSE807*G3018, SSE907*G3018, SSE917*F4350, SSEA07*G3018, SSEF17*J4350, SSEX07*G3018, SSG109*M3013, SSG119*F3058, SSG119*F3060, SSG119*M3013, SSG419*F3058, SSG909*M3013, SSG919*F3060, SSGF19*J3060, SSGX09*M3013 and SSGX19*F3060
1	20530	Screw	
2	N/A	Strain Relief	Models HSE117*F2802, HSE517*F2802, HSE717*F2802, HSG119*F0902, HSG519*F0902, HSG719*F0902, HSG919*F0902, HSGB19*J0902, HSGF19*J0902, HSGR19*F0902, HSGT19*F0902, HSGX19*F0902, HSGY19*F0902, HSGZ19*F0902, JSG809*F3060, JSG909*F3060, SSG119*F3058, SSG119*F3060, SSG919*F3060, SSGF19*J3060 and SSGX19*F3060
	502500	Strain Relief	Models JSGBEFGW301EW01, JSGBGFGW301EW01, SSG109*M3013, SSG119*M3013, SSG909*M3013 and SSGX09*M3013
	52113	Strain Relief	Models JSE807*F4350, JSE907*F4350, NSEBXFGW301NW22, NSG919*F3022, NSGBXFGW301NW22, SSE007*F4350, SSE107*G3018, SSE117*F4350, SSE117*G3018, SSE417*F4350, SSE807*F4350, SSE807*G3018, SSE907*G3018, SSE917*F4350, SSEA07*G3018, SSEF17*J4350, SSEX07*G3018 and USG019*F5412
	38384	Strain Relief	Models SSG119*F5412, SSG119*F5480 and SSG919*F3028
3	61605P	Lead-In Cord Kit	Models JSE807*F4350, JSE907*F4350, SSE007*F4350, SSE117*F4350, SSE417*F4350, SSE807*F4350, SSE917*F4350 and SSEF17*J4350
	512019	Lead-In Cord	Models JSG809*F3060, JSG909*F3060, SSG119*F3058, SSG119*F3060, SSG419*F3058, SSG919*F3060, SSGF19*J3060 and SSGX19*F3060
	513329	Lead-In Cord	Models JSGBEFGW301EW01 and JSGBGFGW301EW01
	503597	Lead-In Cord Assembly	Models NSEBXFGW301NW22, NSG919*F3022, NSGBXFGW301NW22, SSE107*G3018, SSE117*G3018, SSE807*G3018, SSE907*G3018, SSEA07*G3018 and SSEX07*G3018
	506081	Power Cord Assembly	Models SSG109*M3013, SSG119*M3013, SSG909*M3013 and SSGX09*M3013
	58992	Power Cord Assembly	Models HSG119*F0902, HSG519*F0902, HSG719*F0902, HSG919*F0902, HSGB19*J0902, HSGF19*J0902, HSGR19*F0902, HSGT19*F0902, HSGX19*F0902, HSGY19*F0902 and HSGZ19*F0902
	57397	Power Cord Assembly	Models HSE917*F2802, HSE917*F2902, HSEB17*J2802, HSEB17*J2902, HSEF17*J2802, HSEF17*J2902, HSER17*F2802, HSER17*F2902, HSET17*F2802, HSET17*F2902, HSEX17*F2802, HSEX17*F2902, HSEY17*F2802, HSEY17*F2902, HSEY17*F99N2, HSEZ17*F2802 and HSEZ17*F2902
	59373	Lead-In Cord	Model USG019*F5412
	505945	Power Cord Assembly	Model SSG919*F3028

* Add Letter To Designate Color. L - Almond Q - Bisque W - White

N/A = Part no longer available

Terminal Block and Terminals



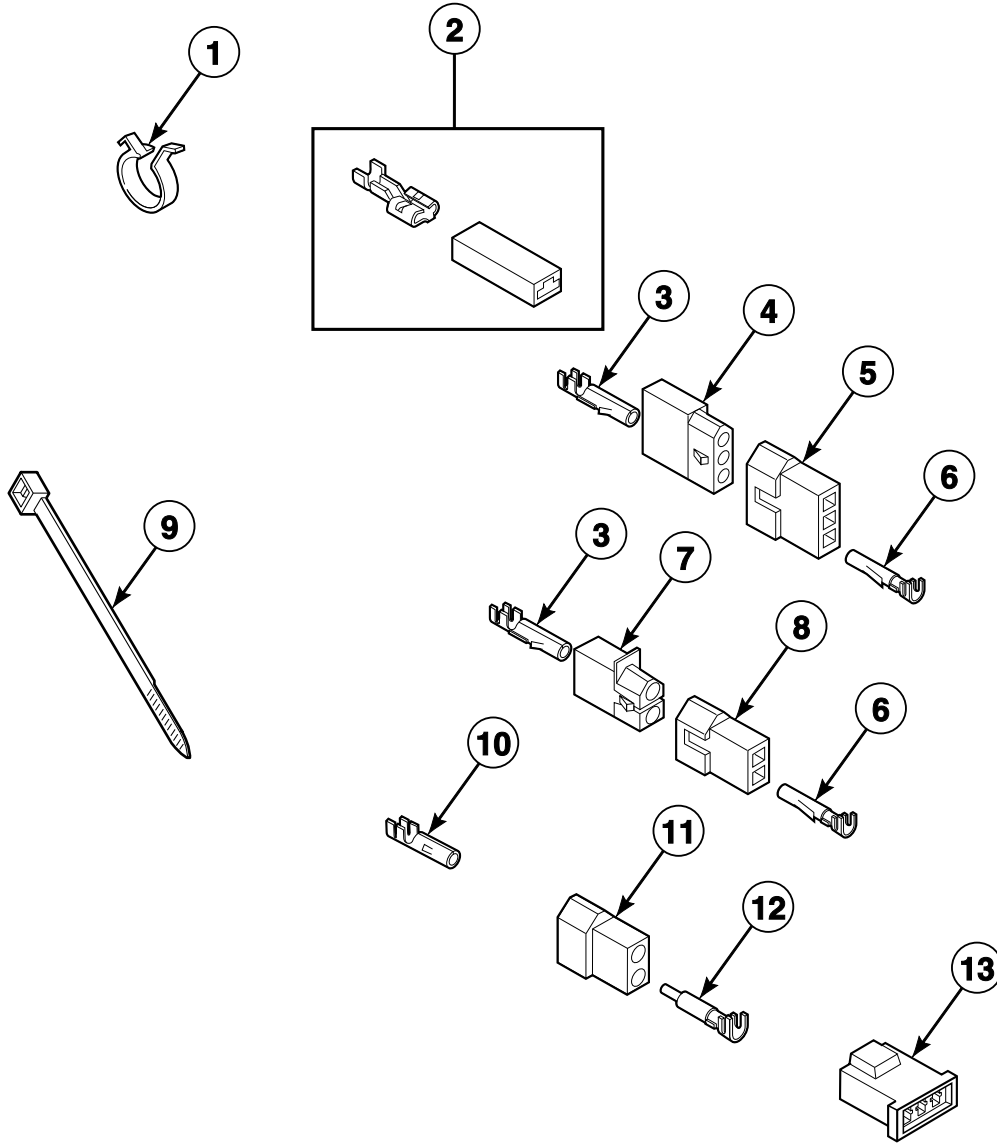
DRY2209P_512026

Terminal Block and Terminals

REF	PART NO.	DESCRIPTION	COMMENTS
1	00161	Grounding Clip	
2	00189	Female Spade Terminal	1/8 inch
3	00361	Female Piggyback Terminal	
4	58799	2 Circuit Connector	
5	00223	Female Spade Terminal	1/4 inch; (1) 18 gauge wire
	00121	Female Spade Terminal	1/4 inch; (2) 18 gauge wires or (1) 12 gauge wire
	00245	Spade Terminal	1/4 inch; (1) 22 gauge wire
6	00124	Female Spade Terminal	3/16 inch; (1) 18 gauge wire; .020 tab
	00156	Female Spade Terminal	3/16 inch; Thermostat wire; .032 tab
	00112	Female Spade Terminal	3/16 inch; .020 tab
7	N/A	Female Spade Terminal	1/4 inch
8	00347	Terminal	
9	00115	Female Spade Terminal	1/4 inch; (1) 18 gauge wire
10	90789	Receptacle Housing	
11	00359	Insulated Female Spade Terminal	1/4 inch
	00165	Insulated Female Terminal	3/16 inch
12	00110	Ring Terminal	No. 10; (1) 18 gauge wire
	00111	Ring Terminal	No. 10; (2) 18 gauge wires or (1) 12 gauge wire
13	00114	Female Spade Terminal	1/4 inch; Double connector
14	00139	Male Tab Terminal	1/4 inch; (2) 18 gauge wires or (1) 12 gauge wire
15	00344	Female Tab Terminal	1/4 inch
16	26302	1 Circuit Plug	
	23033	9 Circuit Plug	
	23041	6 Circuit Plug	
17	26163	9 Circuit Receptacle	
	56855	12 Circuit Receptacle	
18	54522	Plug	
19	26301	1 Circuit Receptacle	
	26708	6 Circuit Receptacle	
20	00252	Terminal	
21	34596	10 Circuit Receptacle	
	501333	12 Circuit Receptacle	
22	36170	3 Circuit Receptacle	

N/A = Part no longer available

Terminals

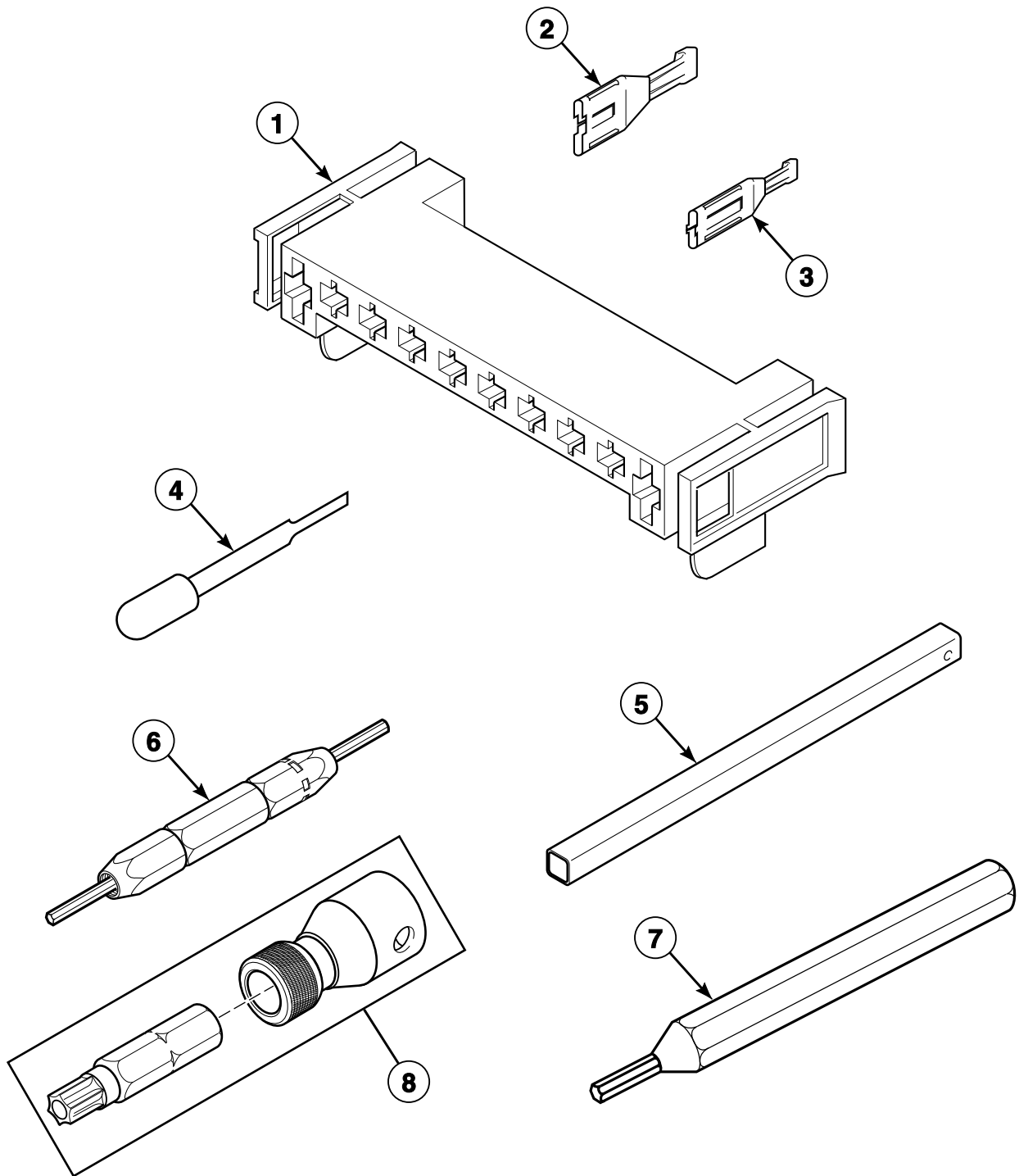


DRY1769P_512026

Terminals

REF	PART NO.	DESCRIPTION	COMMENTS
1	504034	Wire Clip	11/16 inch
	687500	Wire Clip	1 inch
2	00360	Insulated Female Spade Terminal	(1) 12 gauge wire or (2) 18 gauge wires
3	00117	Female Pin Terminal	
4	56265	2 Circuit Receptacle	
	23039	3 Circuit Receptacle	
5	23040	Plug	
6	00116	Male Pin Terminal	
7	56451	2 Circuit Receptacle	
8	56448	2 Circuit Plug	
9	55881	Harness Strap	
	38663	Wire Tie	
10	00128	Female Pin Terminal	1/8 inch; 10-14 gauge wire
	00130	Female Pin Terminal	1/8 inch; 16-18 gauge wire
11	56266	2 Circuit Plug	
12	00129	Male Pin Terminal	.12 insulation diameter
	00127	Male Pin Terminal	.18 insulation diameter
13	58800	3 Circuit Connector	

Terminals and Terminal Extractor Tools



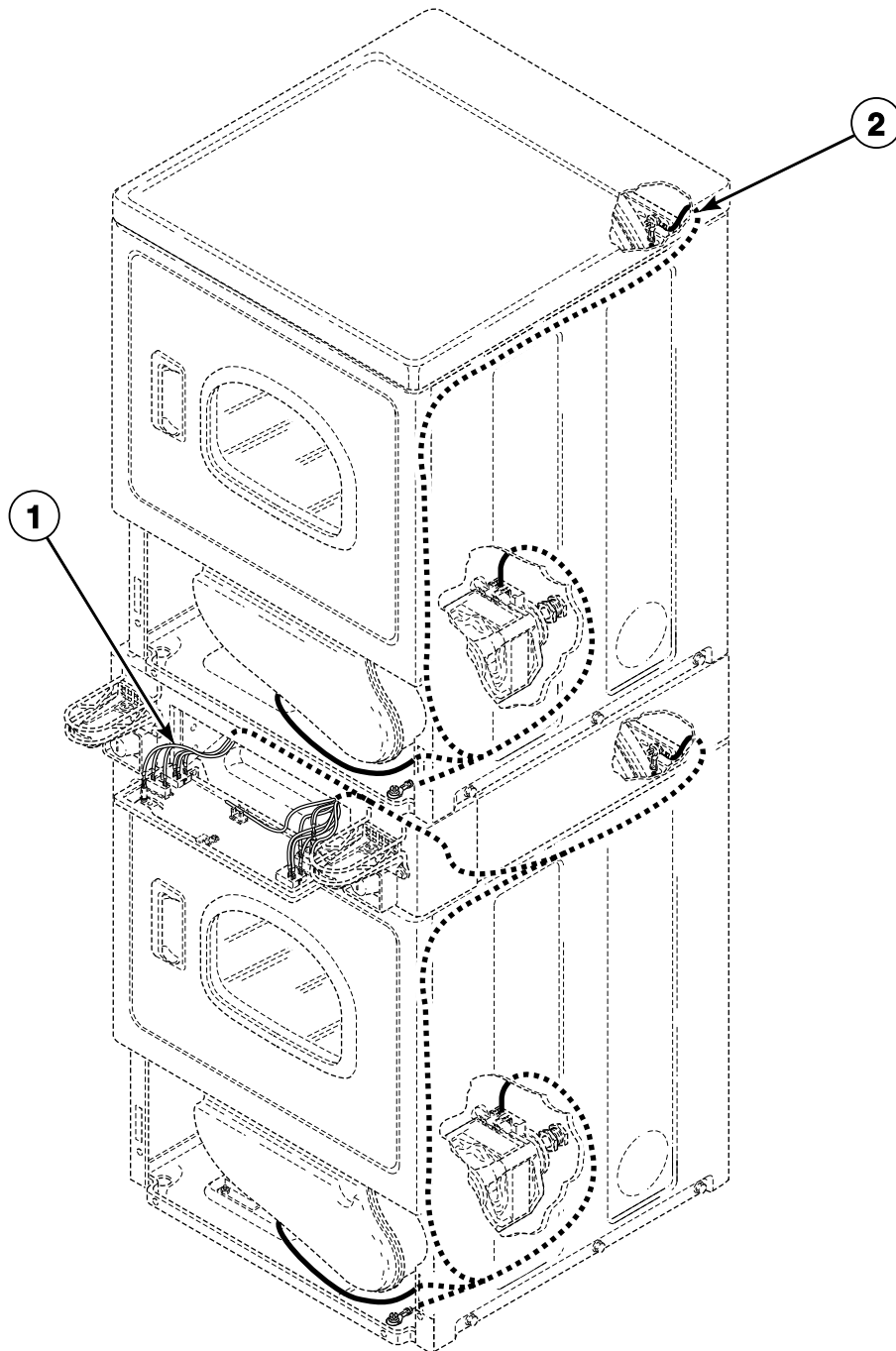
DRY2081P_512026

Terminals and Terminal Extractor Tools

REF	PART NO.	DESCRIPTION	COMMENTS
1	500338	10 Position Housing	
2	00255	Female Terminal	1/4 inch; (1) 12 gauge wire
	00256	Female Terminal	1/4 inch; (1) or (2) 18 gauge wires
3	00188	Female Terminal	For 1 or 2 wire application
4	283P4	Terminal Extractor Tool	For use on Molex connectors
5	310P4	Ratchet Extension Tool	1/4 inch; For coin drop installation
6	190P4	Extractor Tool	For use on electric dryer terminals
7	128P4	Extractor Tool	For use on gas dryer terminals
8	281P4	Torx Bit	T15 Tamper Resistant Bit
	282P4	Torx Bit	Use with 62853 Screw on access panel; T25 Tamper Resistant Bit
	292P4	Torx Bit	T20 Standard Bit
	24161	Bit Holder	Use with 62853 Screw on access panel; 3/8 inch
	93501	Torx Drive Tool	T10 Standard Bit

Wire Harnesses and Wires - Nonmetered and Coin Slide Models (Drawing 1 of 4)

Models HSE117*F2802, HSE117*F2902, HSE917*F2802, HSE917*F2902, HSG119*F0902, HSG919*F0902, JSE807*F4350, JSE907*F4350, JSG809*F3060, JSG909*F3060, NSE817*F5422, NSE917*F5422, NSG919*F3022, SSE007*F3000, SSE007*F4350, SSE107*G3018, SSE117*F3000, SSE117*F4350, SSE117*F5412, SSE117*G3018, SSE807*F4350, SSE807*G3018, SSE907*G3018, SSE917*F4350, SSG109*M3013, SSG119*F3000, SSG119*F3058, SSG119*F3060, SSG119*F5412, SSG119*F5480, SSG119*M3013, SSG909*M3013, SSG919*F3028, SSG919*F3060, USE017*F5412 and USG019*F5412



DRY1912P_512026

Wire Harnesses and Wires - Nonmetered and Coin Slide Models (Drawing 1 of 4)

REF	PART NO.	DESCRIPTION	COMMENTS
	45380	12 Gauge Wire	Orange; Order wire by the foot; Order terminals and connectors as required
	45001	18 Gauge Wire	Black; Order wire by the foot; Order terminals and connectors as required
1	511765	Security Cabinet Wire Harness Assembly	Connects from control to upper harness; Model USG019*F5412
	510647P	Harness Replacement Kit	Connects from control to upper harness; Models HSE117*F2802 and HSE117*F2902
	512142	Wire Harness Assembly	Connects from control to main harness; 2 required; Models HSE917*F2802, HSE917*F2902, HSG919*F0902, JSE907*F4350, JSG909*F3060, NSE917*F5422, NSG919*F3022, SSE907*G3018, SSE917*F4350, SSG909*M3013, SSG919*F3028 and SSG919*F3060
	510654P	Security Cabinet Wire Harness Assembly	Models JSE807*F4350, NSE817*F5422, SSE807*F4350 and SSE807*G3018 connects from control to main harness, 2 required; Models SSE007*F3000, SSE007*F4350 and USE017*F5412 connects from control to upper harness, 1 required
	510626	Security Cabinet Harness Assembly	Connects from control to upper harness; Models SSE107*G3018, SSE117*F3000, SSE117*F4350, SSE117*F5412 and SSE117*G3018
	510655P	Security Cabinet Wire Harness Assembly	Model JSG809*F3060
	N/A	Harness Replacement Kit	Connects from control to upper harness; Models HSG119*F0902, SSG109*M3013, SSG119*F3000, SSG119*F3058, SSG119*F3060, SSG119*F5412, SSG119*F5480 and SSG119*M3013
	2	512913	Wire Harness
	510445P	Upper Harness Assembly	Models SSG119*F3000, SSG119*F5412 and SSG119*F5480
	510449P	Wire Harness Assembly	Upper; Model SSG119*F3058
	511341	Wire Harness Assembly	Upper; Model SSG119*F3060
	511761	Wire Harness Assembly	Upper; Model USG019*F5412
	512644	Wire Harness Assembly	Models HSE917*F2802 and HSE917*F2902
	511792P	Electronic Harness	Models JSE907*F4350, NSE917*F5422, SSE907*G3018 and SSE917*F4350
	511793P	Electronic Harness	Model HSG919*F0902
	512285	Wire Harness Assembly	Models JSG909*F3060 and SSG919*F3060
	512289	Wire Harness Assembly	Models NSG919*F3022, SSG909*M3013 and SSG919*F3028
	510468P	Wire Harness Assembly	Models JSE807*F4350, NSE817*F5422, SSE807*F4350 and SSE807*G3018
	N/A	Upper Wire Harness	All other models

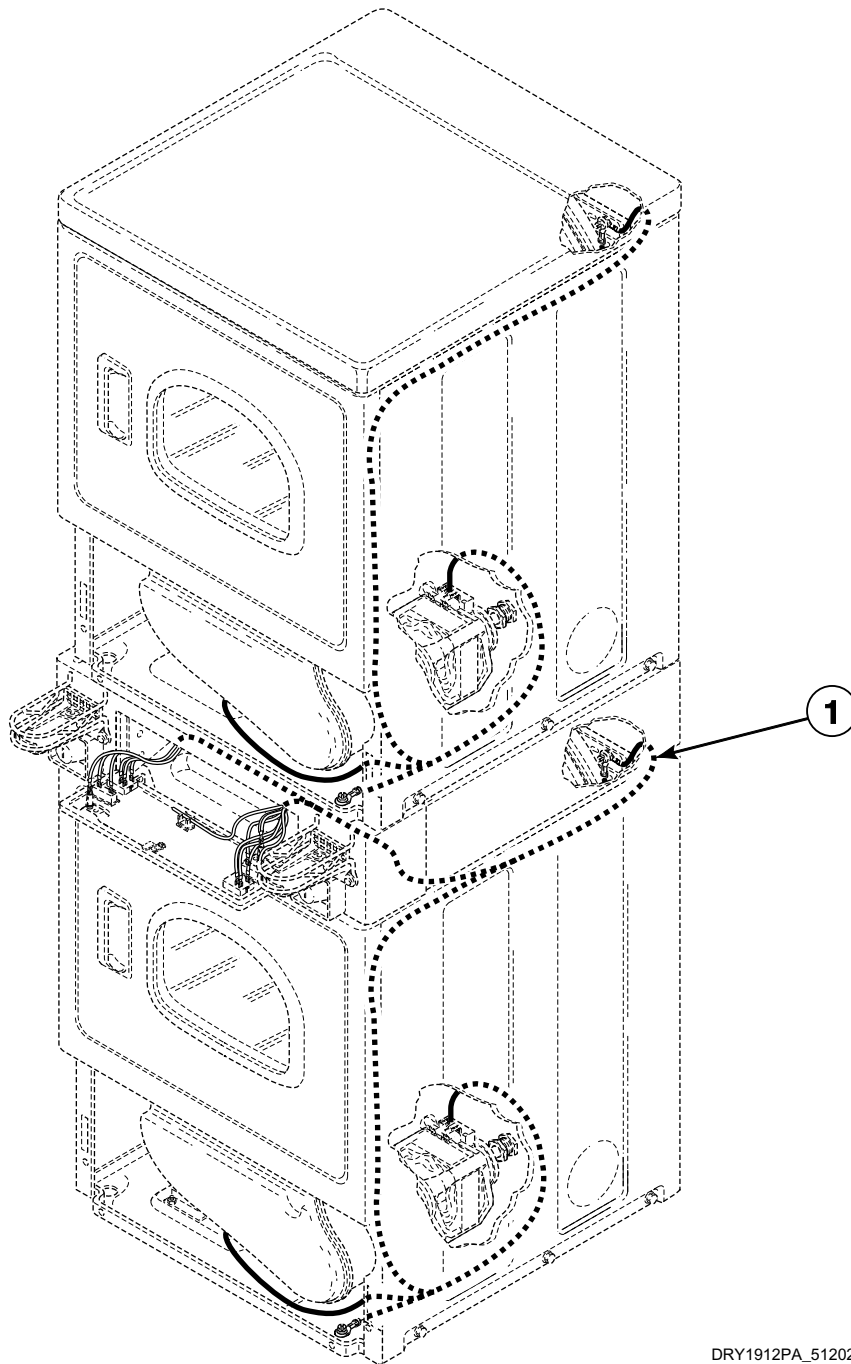
* Add Letter To Designate Color. L - Almond Q - Bisque W - White

N/A = Part no longer available

NOTE: Individual wires are not available separately. Order complete harness, or order wire by the foot. When applying terminals to wires, it is recommended that the terminals be soldered to the wires.

Wire Harnesses and Wires - Nonmetered and Coin Slide Models (Drawing 2 of 4)

Models HSE117*F2802, HSE117*F2902, HSE917*F2802, HSE917*F2902, HSG119*F0902, HSG919*F0902, JSE807*F4350, JSE907*F4350, JSG809*F3060, JSG909*F3060, NSE817*F5422, NSE917*F5422, NSG919*F3022, SSE007*F3000, SSE007*F4350, SSE107*G3018, SSE117*F3000, SSE117*F4350, SSE117*F5412, SSE117*G3018, SSE807*F4350, SSE807*G3018, SSE907*G3018, SSE917*F4350, SSG109*M3013, SSG119*F3000, SSG119*F3058, SSG119*F3060, SSG119*F5412, SSG119*F5480, SSG119*M3013, SSG909*M3013, SSG919*F3028, SSG919*F3060, USE017*F5412 and USG019*F5412



DRY1912PA_512026

Wire Harnesses and Wires - Nonmetered and Coin Slide Models (Drawing 2 of 4)

REF	PART NO.	DESCRIPTION	COMMENTS
	45380	12 Gauge Wire	Orange; Order wire by the foot; Order terminals and connectors as required
	45001	18 Gauge Wire	Black; Order wire by the foot; Order terminals and connectors as required
1	510435	Lower Wire Harness Assembly	Model HSG119*F0902
	512915	Wire Harness	Model JSG809*F3060
	510451	Wire Harness Assembly	Lower; Model SSG119*F3058
	510470	Wire Harness Assembly	Lower; Models SSE007*F3000, SSE007*F4350 and USE017*F5412
	511343	Wire Harness Assembly	Lower; Model SSG119*F3060
	511763	Wire Harness Assembly	Lower; Model USG019*F5412
	512642	Wire Harness Assembly	Models HSE917*F2802 and HSE917*F2902
	511794P	Electronic Harness	Models JSE907*F4350, NSE917*F5422, SSE907*G3018 and SSE917*F4350
	512660	Wire Harness Assembly	Models JSE807*F4350, NSE817*F5422, SSE807*F4350 and SSE807*G3018
	511795P	Electronic Harness	Model HSG919*F0902
	512287	Wire Harness Assembly	Models JSG909*F3060 and SSG919*F3060
	512291	Wire Harness Assembly	Models NSG919*F3022, SSG909*M3013 and SSG919*F3028
		N/A	Lower Wire Harness

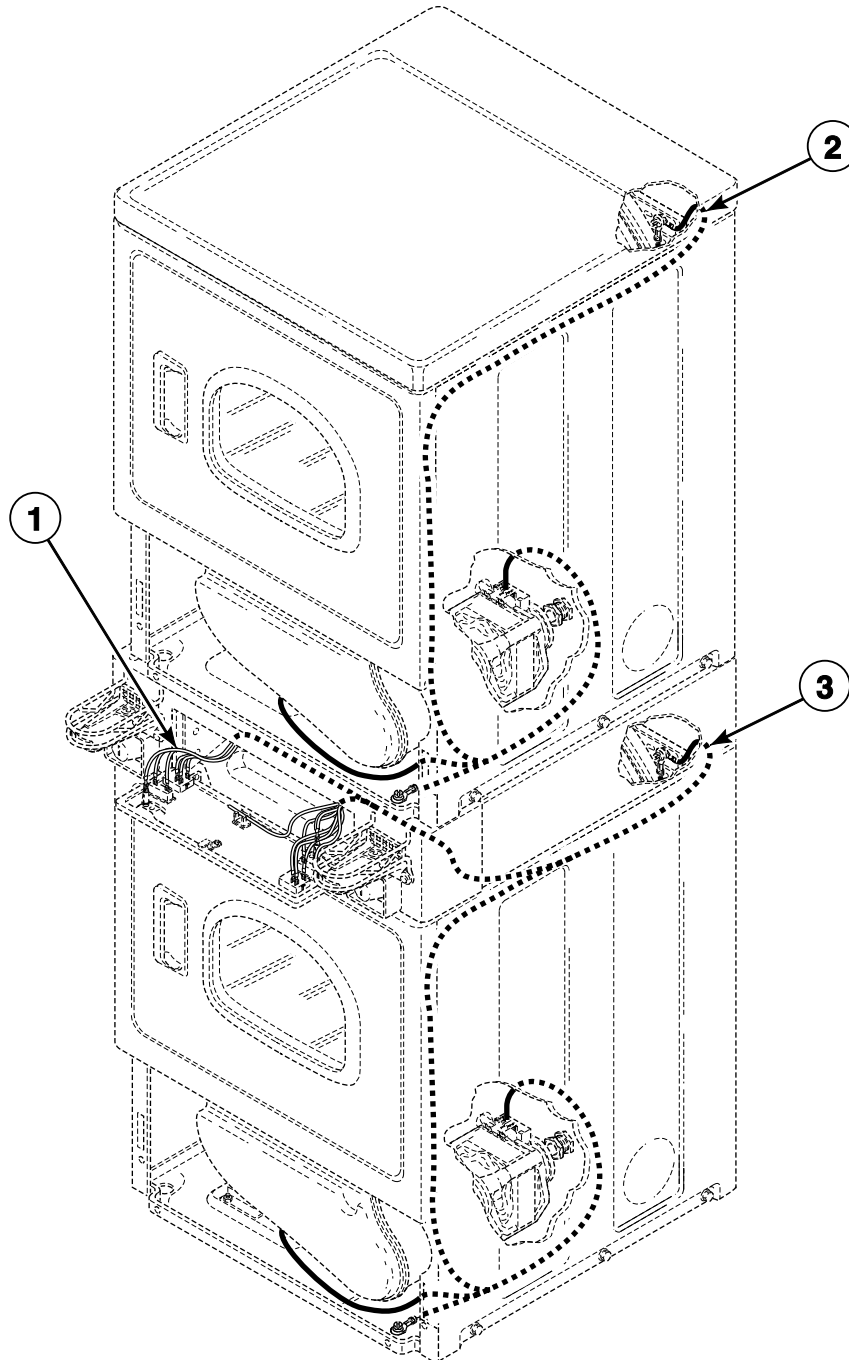
* Add Letter To Designate Color. L - Almond Q - Bisque W - White

N/A = Part no longer available

NOTE: Individual wires are not available separately. Order complete harness, or order wire by the foot. When applying terminals to wires, it is recommended that the terminals be soldered to the wires.

Wire Harnesses and Wires - Nonmetered and Coin Slide Models (Drawing 3 of 4)

Models NSE917*F3022, SSE807*F3000 and SSE917*F3000
Models Through Serial No. 1303025314



DRY1912PB 512026

Wire Harnesses and Wires - Nonmetered and Coin Slide Models (Drawing 3 of 4)

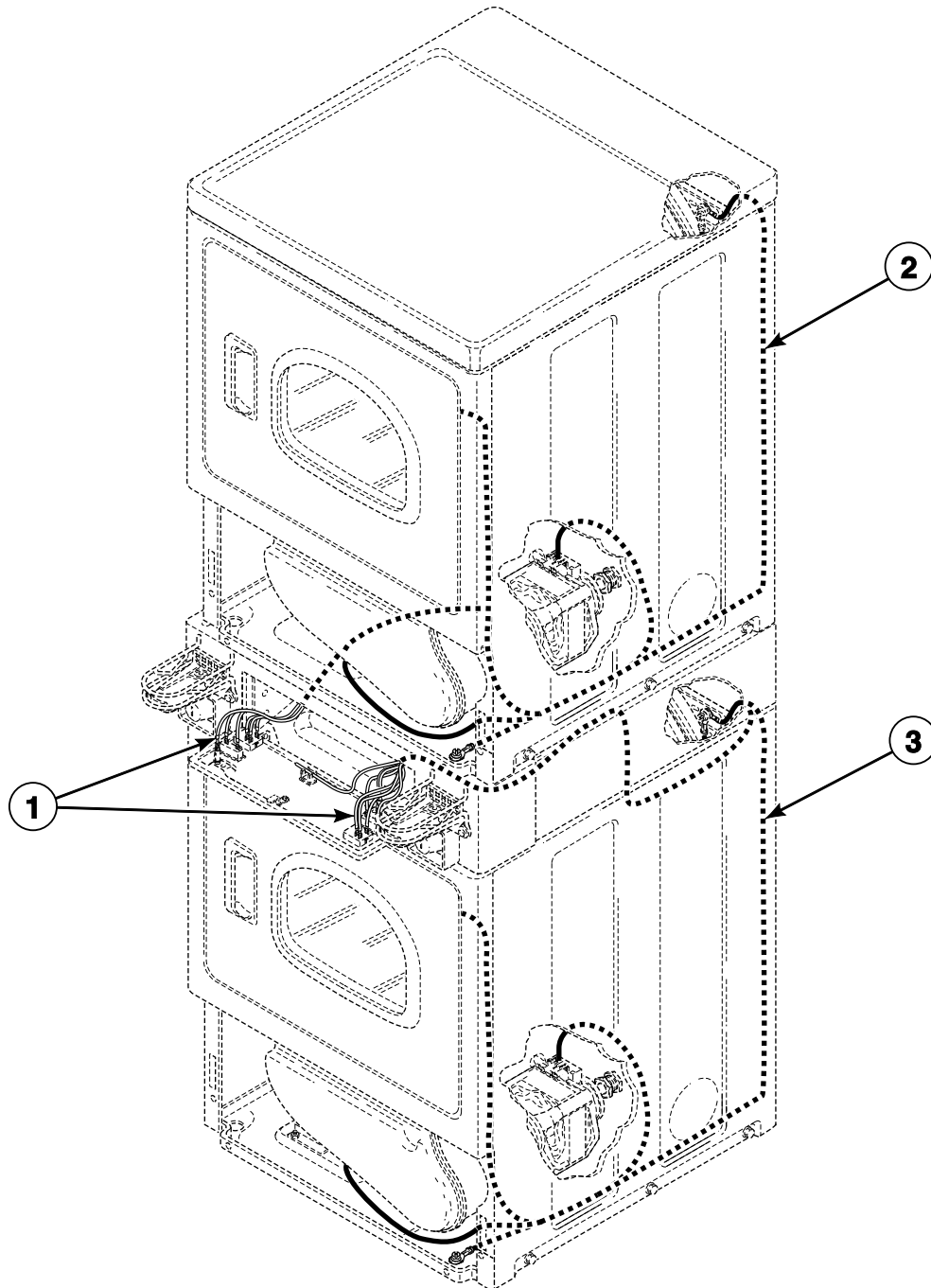
REF	PART NO.	DESCRIPTION	COMMENTS
	45380	12 Gauge Wire	Orange; Order wire by the foot; Order terminals and connectors as required
	45001	18 Gauge Wire	Black; Order wire by the foot; Order terminals and connectors as required
1	512142	Wire Harness Assembly	Connects from control to main harness; 2 required; Models NSE917*F3022 and SSE917*F3000
	510654P	Security Cabinet Wire Harness Assembly	Model SSE807*F3000 connects from control to main harness, 2 required
2	511792P	Electronic Harness	Models NSE917*F3022 and SSE917*F3000
	510468P	Wire Harness Assembly	Model SSE807*F3000
3	511794P	Electronic Harness	Models NSE917*F3022 and SSE917*F3000
	512660	Wire Harness Assembly	Model SSE807*F3000

* Add Letter To Designate Color. L - Almond Q - Bisque W - White

NOTE: Individual wires are not available separately. Order complete harness, or order wire by the foot. When applying terminals to wires, it is recommended that the terminals be soldered to the wires.

Wire Harnesses and Wires - Nonmetered and Coin Slide Models (Drawing 4 of 4)

Models NSE917*F3022, SSE807*F3000 and SSE917*F3000
Models Starting Serial No. 1303025315



DRY2287P_512026

Wire Harnesses and Wires - Nonmetered and Coin Slide Models (Drawing 4 of 4)

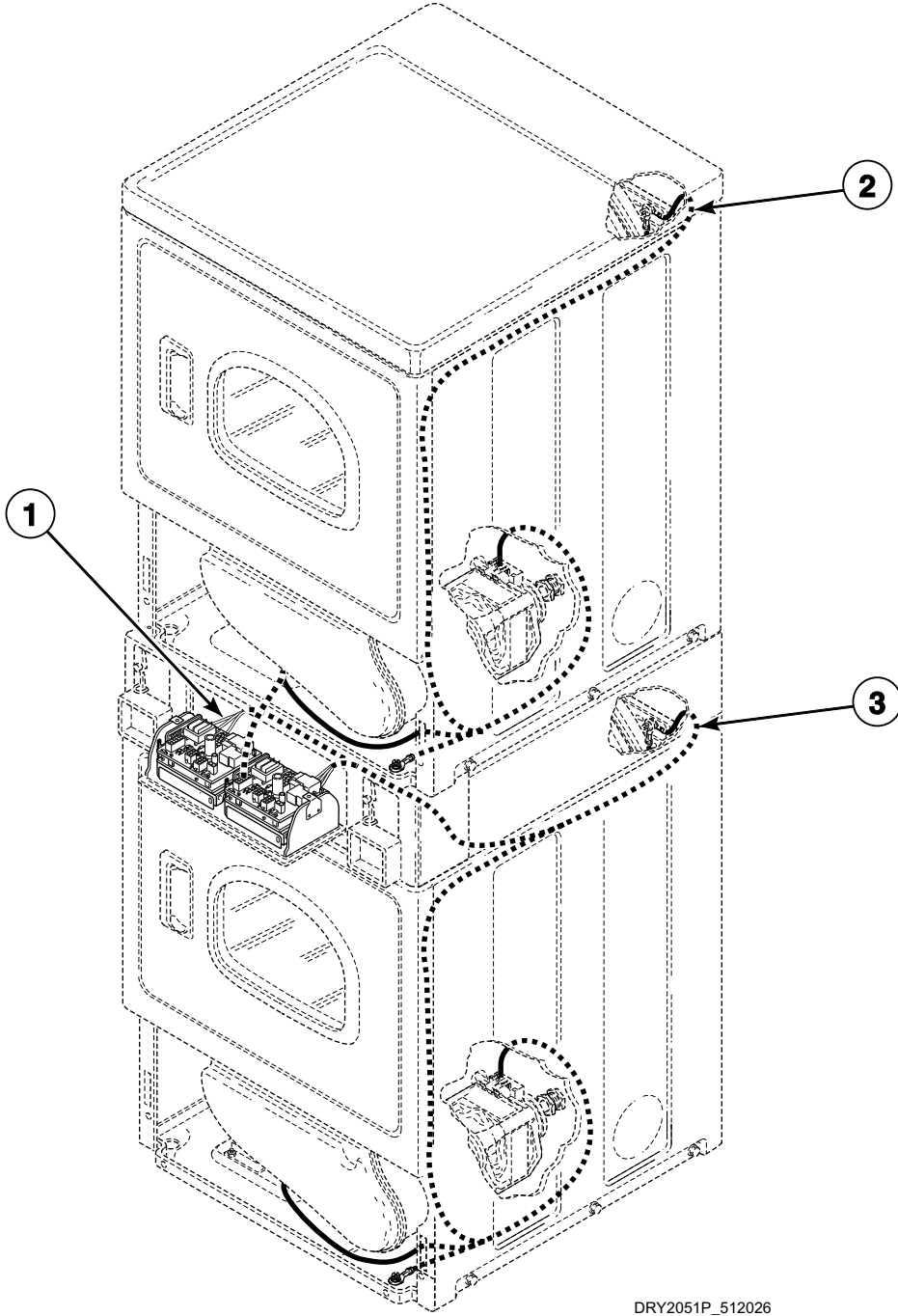
REF	PART NO.	DESCRIPTION	COMMENTS
	45380	12 Gauge Wire	Orange; Order wire by the foot; Order terminals and connectors as required
	45001	18 Gauge Wire	Black; Order wire by the foot; Order terminals and connectors as required
1	510654P	Security Cabinet Wire Harness Assembly	Model SSE807*F3000 connects from control to main harness, 2 required
	512142	Wire Harness Assembly	Models NSE917*F3022 and SSE917*F3000; Connects from control to main harness; 2 required
2	514094	Electronic Harness	Upper; Models NSE917*F3022 and SSE917*F3000
	514084	Harness Assembly	Upper; Model SSE807*F3000
3	514096	Electronic Harness	Lower; Models NSE917*F3022 and SSE917*F3000
	514086	Harness Assembly	Lower; Model SSE807*F3000

* Add Letter To Designate Color. L - Almond Q - Bisque W - White

NOTE: Individual wires are not available separately. Order complete harness, or order wire by the foot. When applying terminals to wires, it is recommended that the terminals be soldered to the wires.

Wire Harnesses and Wires - Coin Drop and Card Reader Models

Models HSE517*F2802, HSE517*F2902, HSE717*F2802, HSE717*F2902, HSEB17*J2802, HSEB17*J2902, HSEF17*J2802, HSEF17*J2902, HSEZ17*F2802, HSEZ17*F2902, HSG519*F0902, HSG719*F0902, HSGB19*J0902, HSGF19*J0902, HSGZ19*F0902, SSE417*F3000, SSE417*F4350, SSEA07*G3018, SSEF17*J4350, SSG419*F3000, SSG419*F3058 and SSGF19*J3060



DRY2051P_512026

Wire Harnesses and Wires - Coin Drop and Card Reader Models

REF	PART NO.	DESCRIPTION	COMMENTS
	45380	12 Gauge Wire	Orange; Order wire by the foot; Order terminals and connectors as required
	45001	18 Gauge Wire	Black; Order wire by the foot; Order terminals and connectors as required
1	N/A	Security Cabinet Wire Harness Assembly	Models HSE517*F2802, HSE517*F2902, HSE717*F2802, HSE717*F2902, HSG519*F0902, HSG719*F0902, HSGB19*J0902, HSGF19*J0902, HSGZ19*F0902, SSE417*F3000, SSE417*F4350, SSG419*F3000 and SSG419*F3058
	510498P	Wire Harness Assembly	Models HSEB17*J2802, HSEB17*J2902, HSEF17*J2802, HSEF17*J2902, HSEZ17*F2802 and HSEZ17*F2902
	511318P	Wire Harness Assembly	Models SSEA07*G3018 and SSEF17*J4350
	511321P	Wire Harness Assembly	Model SSGF19*J3060
2	510440P	Wire Harness Assembly	Upper; Models HSE517*F2802, HSE517*F2902, HSE717*F2802, HSE717*F2902, HSEB17*J2802, HSEB17*J2902, HSEF17*J2802, HSEF17*J2902, HSEZ17*F2802 and HSEZ17*F2902
	510448	Wire Harness Assembly	Upper; Models SSE417*F3000 and SSE417*F4350
	511314P	Wire Harness Assembly	Upper; Models SSEA07*G3018 and SSEF17*J4350
	511347	Wire Harness Assembly	Upper; Model SSGF19*J3060
	N/A	Wire Harness Assembly	Upper; Models HSG519*F0902, HSG719*F0902, HSGB19*J0902, HSGF19*J0902, HSGZ19*F0902, SSG419*F3000 and SSG419*F3058
3	N/A	Wire Harness Assembly	Lower; Models HSE517*F2802, HSE517*F2902, HSE717*F2802, HSE717*F2902, HSG519*F0902, HSG719*F0902, SSG419*F3000 and SSG419*F3058
	510450	Wire Harness Assembly	Lower; Models SSE417*F3000 and SSE417*F4350
	510489	Wire Harness Assembly	Lower; Models HSGB19*J0902, HSGF19*J0902 and HSGZ19*F0902
	510490	Wire Harness Assembly	Lower; Models HSEB17*J2802, HSEB17*J2902, HSEF17*J2802, HSEF17*J2902, HSEZ17*F2802 and HSEZ17*F2902
	511316	Wire Harness Assembly	Lower; Models SSEA07*G3018 and SSEF17*J4350
	511349	Wire Harness Assembly	Lower; Model SSGF19*J3060

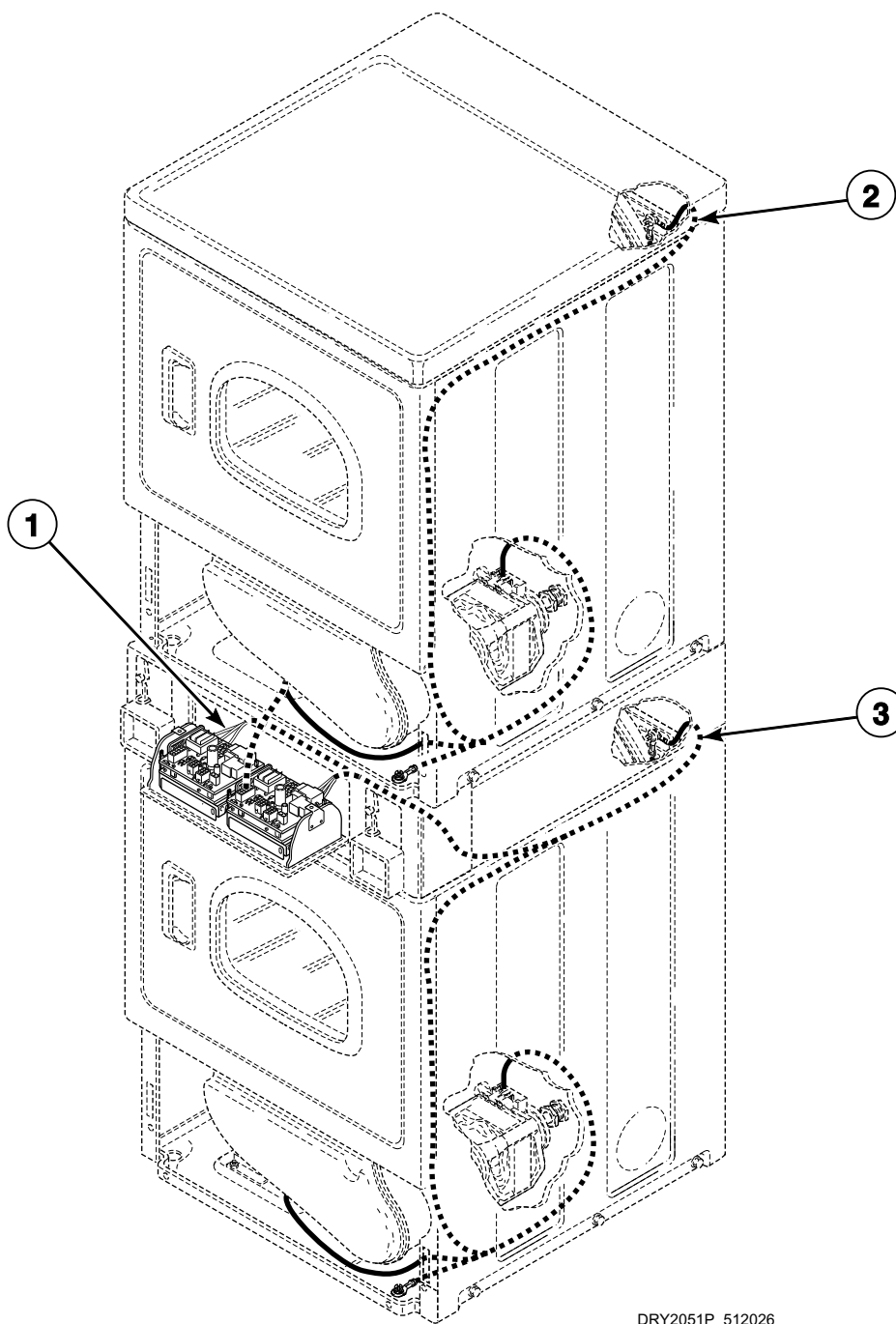
* Add Letter To Designate Color. L - Almond Q - Bisque W - White

N/A = Part no longer available

NOTE: Individual wires are not available separately. Order complete harness, or order wire by the foot. When applying terminals to wires, it is recommended that the terminals be soldered to the wires.

Wire Harnesses and Wires

Models JSGBEFGW301EW01, JSGBGFGW301EW01 and SSGX09*M3013



DRY2051P_512026

Wire Harnesses and Wires

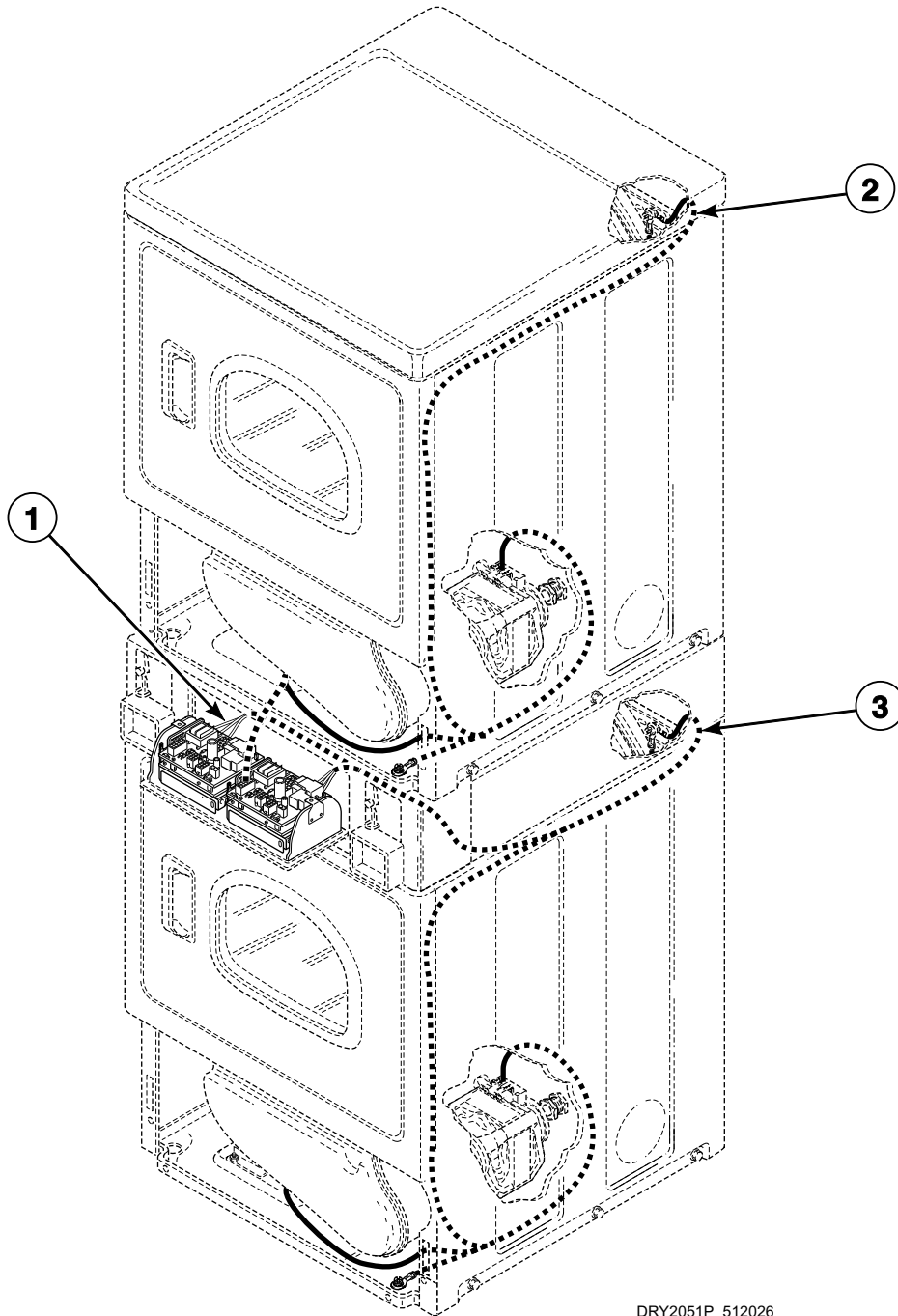
REF	PART NO.	DESCRIPTION	COMMENTS
	45380	12 Gauge Wire	Orange; Order wire by the foot; Order terminals and connectors as required
	45001	18 Gauge Wire	Black; Order wire by the foot; Order terminals and connectors as required
1	511757	Wire Harness Assembly	
2	511753	Wire Harness Assembly	Upper
3	511755	Wire Harness Assembly	Lower; Models JSGBEFGW301EW01 and SSGX09*M3013
	511823P	Security Cabinet Harness	Lower; Model JSGBGFGW301EW01

* Add Letter To Designate Color. L - Almond Q - Bisque W - White

NOTE: Individual wires are not available separately. Order complete harness, or order wire by the foot. When applying terminals to wires, it is recommended that the terminals be soldered to the wires.

Wire Harnesses and Wires - Coin Drop Card Reader Models Through Serial No. 0904

Models HSER17*F2802, HSER17*F2902, HSET17*F2802, HSET17*F2902, HSEX17*F2802,
HSEX17*F2902, HSEY17*F2802, HSEY17*F2902, HSEY17*F99N2, HSGR19*F0902, HSGT19*F0902,
HSGX19*F0902, HSGY19*F0902, SSEX07*G3018 and SSGX19*F3060



DRY2051P_512026

Wire Harnesses and Wires - Coin Drop Card Reader Models Through Serial No. 0904

REF	PART NO.	DESCRIPTION	COMMENTS
	45380	12 Gauge Wire	Orange; Order wire by the foot; Order terminals and connectors as required
	45001	18 Gauge Wire	Black; Order wire by the foot; Order terminals and connectors as required
1	N/A	Security Cabinet Wire Harness Assembly	Models HSGR19*F0902, HSGT19*F0902, HSGX19*F0902 and HSGY19*F0902
	510498P	Wire Harness Assembly	Models HSER17*F2802, HSER17*F2902, HSET17*F2802, HSET17*F2902, HSEX17*F2802, HSEX17*F2902, HSEY17*F2802, HSEY17*F2902 and HSEY17*F99N2
	511318P	Wire Harness Assembly	Model SSEX07*G3018
	511321P	Wire Harness Assembly	Model SSGX19*F3060
2	N/A	Upper Wire Harness Assembly	Models HSGR19*F0902, HSGT19*F0902, HSGX19*F0902 and HSGY19*F0902
	510440P	Wire Harness Assembly	Upper; Models HSER17*F2802, HSER17*F2902, HSET17*F2802, HSET17*F2902, HSEX17*F2802, HSEX17*F2902, HSEY17*F2802, HSEY17*F2902 and HSEY17*F99N2
	511314P	Wire Harness Assembly	Upper; Model SSEX07*G3018
	511347	Wire Harness Assembly	Upper; Model SSGX19*F3060
3	510489	Wire Harness Assembly	Lower; Models HSGR19*F0902, HSGT19*F0902, HSGX19*F0902 and HSGY19*F0902
	510490	Wire Harness Assembly	Lower; Models HSER17*F2802, HSER17*F2902, HSET17*F2802, HSET17*F2902, HSEX17*F2802, HSEX17*F2902, HSEY17*F2802, HSEY17*F2902 and HSEY17*F99N2
	511316	Wire Harness Assembly	Lower; Model SSEX07*G3018
	511349	Wire Harness Assembly	Lower; Model SSGX19*F3060

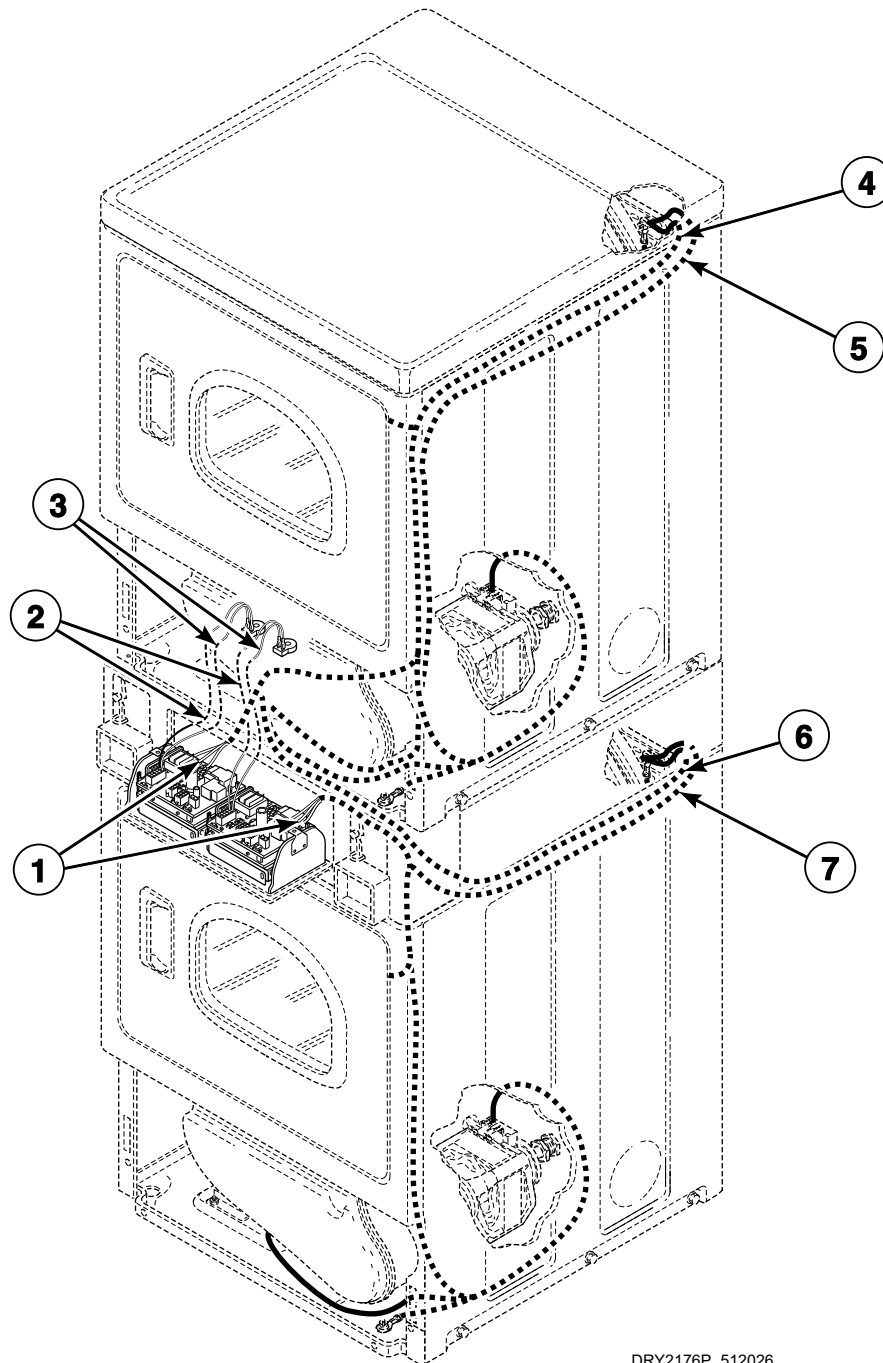
* Add Letter To Designate Color. L - Almond Q - Bisque W - White

N/A = Part no longer available

NOTE: Individual wires are not available separately. Order complete harness, or order wire by the foot. When applying terminals to wires, it is recommended that the terminals be soldered to the wires.

Wire Harnesses and Wires - Coin Drop, Card Reader and OPL Models Starting Serial No. 0904

Models HSER17*F2802, HSET17*F2802, HSEX17*F2802, HSEX17*F2902, HSEY17*F99N2, HSGR19*F0902, HSGT19*F0902, HSGX19*F0902, HSGY19*F0902, JSEBEFGW301EW01, JSEBFGW301EW01, NSGBXFGW301NW22, SSEX07*G3018 and SSGX19*F3060



DRY2176P_512026

Wire Harnesses and Wires - Coin Drop, Card Reader and OPL Models Starting Serial No. 0904

REF	PART NO.	DESCRIPTION	COMMENTS
	45380	12 Gauge Wire	Orange; Order wire by the foot; Order terminals and connectors as required
	45001	18 Gauge Wire	Black; Order wire by the foot; Order terminals and connectors as required
	513246P	Jumper Assembly	Connect one jumper assembly to each pair of resistors per control; Models JSEBEFGW301EW01, JSEBGF301EW01, NSGBXFGW301NW22, SSEX07*G3018 and SSGX19*F3060
1	512422P	Wire Harness Assembly	
2	512273P	Wire Configuration Assembly	
3	512275P	Wire Configuration Assembly	
4	511793P	Electronic Harness	Models HSGR19*F0902, HSGT19*F0902, HSGX19*F0902 and HSGY19*F0902
	512644	Wire Harness Assembly	Models HSER17*F2802, HSET17*F2802, HSEX17*F2802, HSEX17*F2902 and HSEY17*F99N2
	511792P	Electronic Harness	Models JSEBEFGW301EW01, JSEBGF301EW01 and SSEX07*G3018
	512285	Wire Harness Assembly	Model SSGX19*F3060
	512289	Wire Harness Assembly	Model NSGBXFGW301NW22
5	512890P	Power Wire Harness Assembly	Models HSER17*F2802, HSET17*F2802, HSEX17*F2802, HSEX17*F2902 and HSEY17*F99N2
	512643P	Wire Harness Assembly	Models HSGR19*F0902, HSGT19*F0902, HSGX19*F0902 and HSGY19*F0902
6	512645	Wire Harness Assembly	Models HSGR19*F0902, HSGT19*F0902, HSGX19*F0902 and HSGY19*F0902
	512892	Wire Harness Assembly	Models HSER17*F2802, HSET17*F2802, HSEX17*F2802, HSEX17*F2902 and HSEY17*F99N2
7	512642	Wire Harness Assembly	Models HSER17*F2802, HSET17*F2802, HSEX17*F2802, HSEX17*F2902 and HSEY17*F99N2
	511795P	Electronic Harness	Models HSGR19*F0902, HSGT19*F0902, HSGX19*F0902 and HSGY19*F0902
	511794P	Electronic Harness	Models JSEBEFGW301EW01 and SSEX07*G3018
	513270P	Wire Harness Assembly	Model JSEBGF301EW01
	512287	Wire Harness Assembly	Model SSGX19*F3060
	512291	Wire Harness Assembly	Model NSGBXFGW301NW22

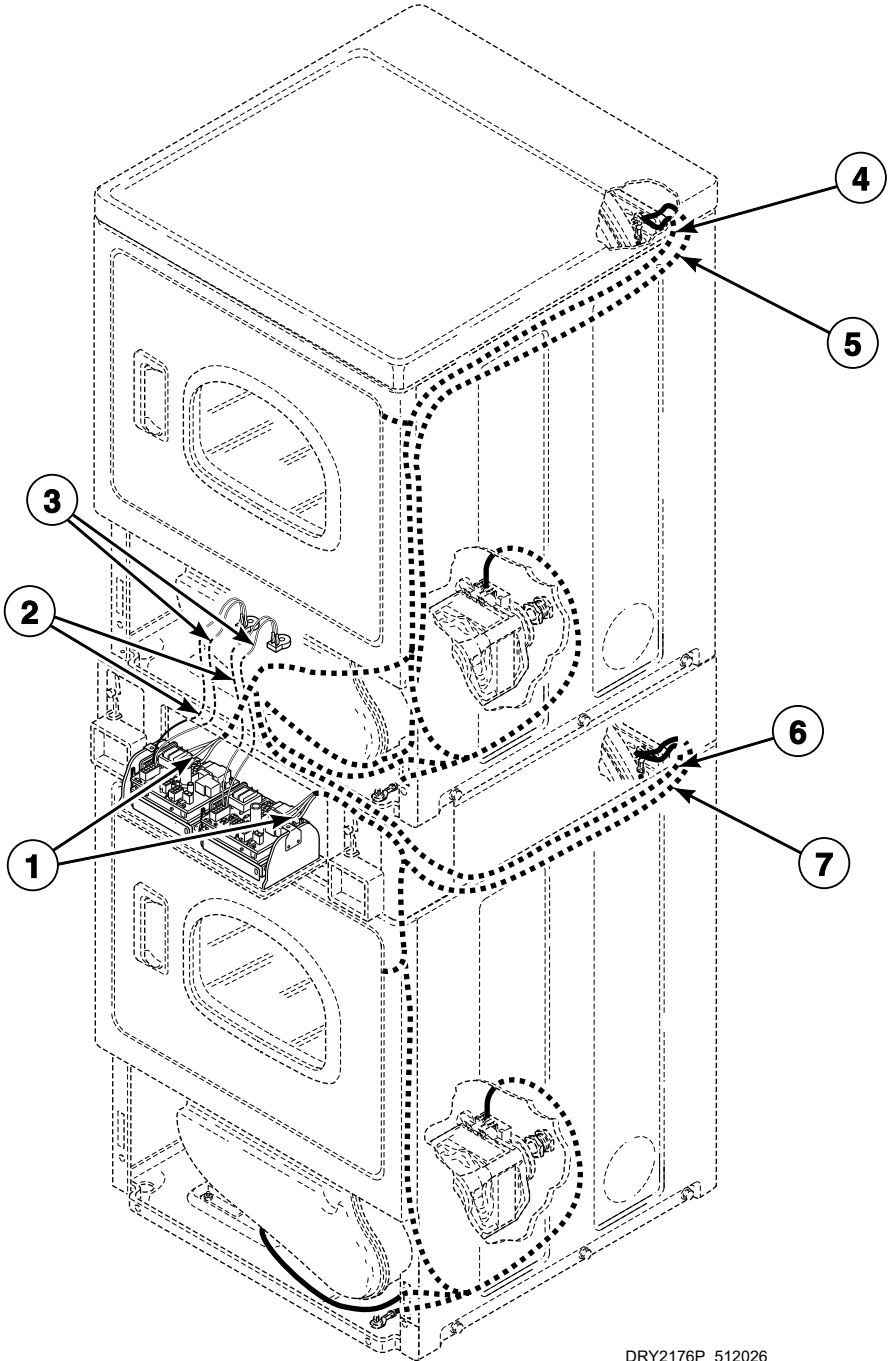
* Add Letter To Designate Color. L - Almond Q - Bisque W - White

NOTE: Individual wires are not available separately. Order complete harness, or order wire by the foot. When applying terminals to wires, it is recommended that the terminals be soldered to the wires.

NOTE: Some models built after Serial No. 0904 may come equipped with one harness. If replacement of harness is necessary, replace with harness listed for model on *Wire Harnesses and Wires - Coin Drop and Card Reader Models Through Serial No. 0904*.

Wire Harnesses and Wires - Coin Drop, Card Reader and OPL Models Starting Serial No. 0904 and Continuing Through Serial No. 1303025314

Models HSEBXFGW171FW28, HSER17*F2902, HSET17*F2902, HSEY17*F2802, HSEY17*F2902 and NSEBXFGW301NW22



DRY2176P_512026

Wire Harnesses and Wires - Coin Drop, Card Reader and OPL Models Starting Serial No. 0904 and Continuing Through Serial No. 1303025314

REF	PART NO.	DESCRIPTION	COMMENTS
	45380	12 Gauge Wire	Orange; Order wire by the foot; Order terminals and connectors as required
	45001	18 Gauge Wire	Black; Order wire by the foot; Order terminals and connectors as required
	513246P	Jumper Assembly	Connect one jumper assembly to each pair of resistors per control; Model NSEBXFGW301NW22
1	512422P	Wire Harness Assembly	
2	512273P	Wire Configuration Assembly	
3	512275P	Wire Configuration Assembly	
4	512644	Wire Harness Assembly	Models HSER17*F2902, HSET17*F2902, HSEY17*F2802 and HSEY17*F2902
	511792P	Electronic Harness	Models HSEBXFGW171FW28 and NSEBXFGW301NW22
5	512890P	Power Wire Harness Assembly	Models HSER17*F2902, HSET17*F2902, HSEY17*F2802 and HSEY17*F2902
6	512892	Wire Harness Assembly	Models HSER17*F2902, HSET17*F2902, HSEY17*F2802 and HSEY17*F2902
7	512642	Wire Harness Assembly	Models HSER17*F2902, HSET17*F2902, HSEY17*F2802 and HSEY17*F2902
	511794P	Electronic Harness	Models HSEBXFGW171FW28 and NSEBXFGW301NW22

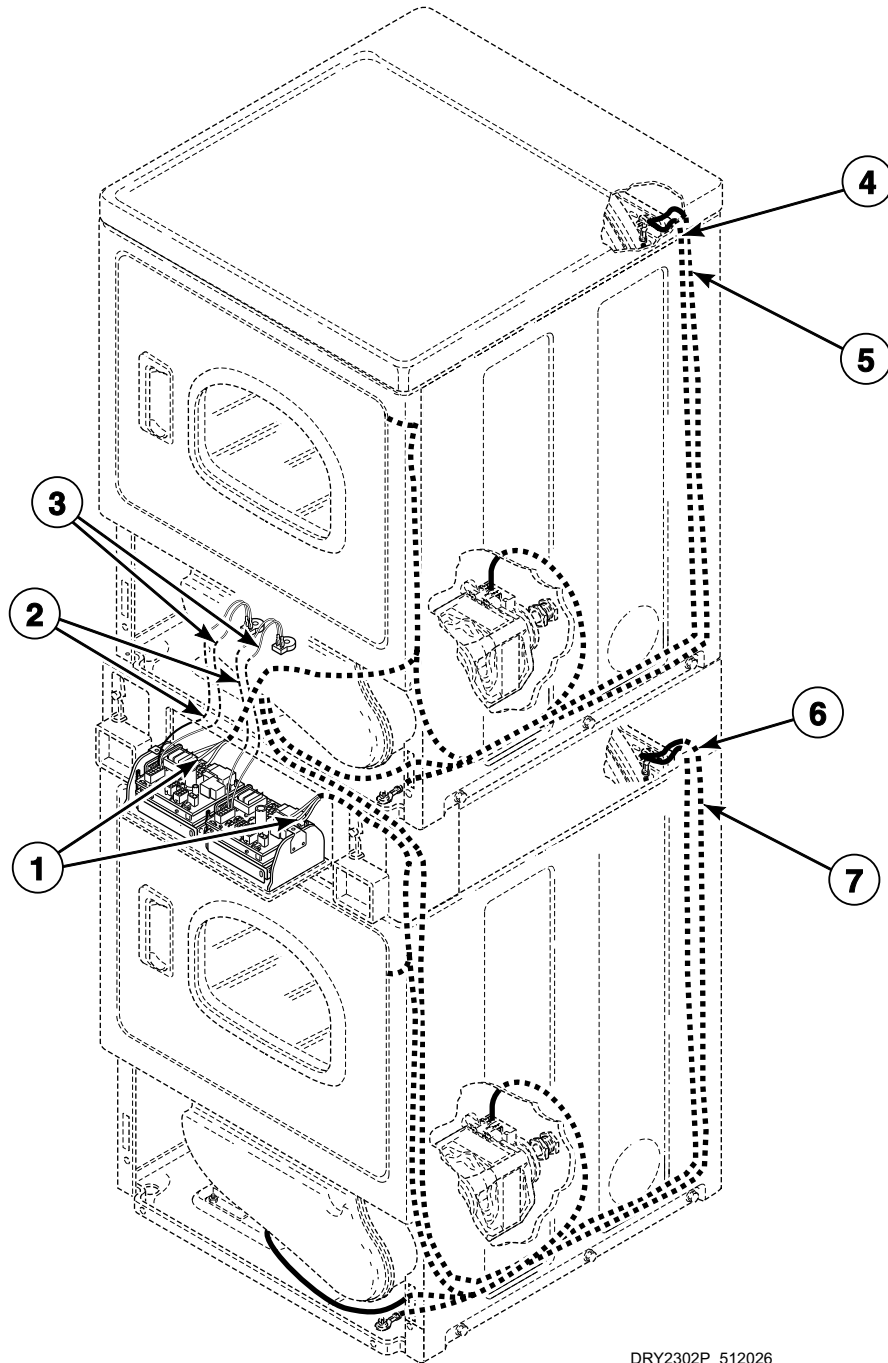
* Add Letter To Designate Color. L - Almond Q - Bisque W - White

NOTE: Individual wires are not available separately. Order complete harness, or order wire by the foot. When applying terminals to wires, it is recommended that the terminals be soldered to the wires.

NOTE: Some models built after Serial No. 0904 may come equipped with one harness. If replacement of harness is necessary, replace with harness listed for model on *Wire Harnesses and Wires - Coin Drop and Card Reader Models Through Serial No. 0904*.

Wire Harnesses and Wires - Coin Drop, Card Reader and OPL Models Starting Serial No. 1303025315

Models HSEBXFGW131DW01, HSEBXFGW171FW28, HSEBXFGW541DW01, HSER17*F2902, HSET17*F2902, HSEY17*F2802, HSEY17*F2902, NSEBXFGW301NW22, SSEBXFGW131DW01 and SSEBXFGW541DW01



DRY2302P_512026

Wire Harnesses and Wires - Coin Drop, Card Reader and OPL Models Starting Serial No. 1303025315

REF	PART NO.	DESCRIPTION	COMMENTS
	45380	12 Gauge Wire	Orange; Order wire by the foot; Order terminals and connectors as required
	45001	18 Gauge Wire	Black; Order wire by the foot; Order terminals and connectors as required
	513246P	Jumper Assembly	Connect one jumper assembly to each pair of resistors per control; Model NSEBXFGW301NW22
1	512422P	Wire Harness Assembly	
2	512273P	Wire Configuration Assembly	
3	512275P	Wire Configuration Assembly	
4	514094	Electronic Harness	
5	514080	Wire Harness Assembly	Models HSER17*F2902, HSET17*F2902, HSEY17*F2802 and HSEY17*F2902
6	514082	Wire Harness Assembly	Models HSER17*F2902, HSET17*F2902, HSEY17*F2802 and HSEY17*F2902
7	514096	Electronic Harness	

* Add Letter To Designate Color. L - Almond Q - Bisque W - White

NOTE: Individual wires are not available separately. Order complete harness, or order wire by the foot. When applying terminals to wires, it is recommended that the terminals be soldered to the wires.

NOTE: Some models built after Serial No. 0904 may come equipped with one harness. If replacement of harness is necessary, replace with harness listed for model on *Wire Harnesses and Wires - Coin Drop and Card Reader Models Through Serial No. 0904*.

Parts Index

A

Access Panel	
510069LP	37
Access Panel and Guard Assembly	
514252Q	37
514252W	37
Access Panel Assembly	
514250Q	37
514250W	37
Access Panel Plate	
510903	57
Accumulator Replacement Kit	
510628P	29
510629P	29
510631P	29
Adhesive	
511637P	45, 47
Air Duct Assembly	
510151LG	45
510151W	45
Anti-Seize Compound	
27604P	41
Audit Switch Bracket	
800379	13
800380	13

B

Bit Holder	
24161	69
Blower and Fan Kit	
510717P	41
Blower Fan Assembly	
510139P	41
Blower Housing	
511969WP	41
Blower Housing Seal	
510238P	41
Bolt	
29651	9, 11
512505	23
Booster and Holding Coil	
58804A	53
59063A	53
Bracket	
510146	61
Bumper Pad	
56128	57
Burner Assembly	
510149P	53, 55

C

Cabinet Rear Panel	
510005P	57
Cabinet Side Panel	
510001LP	57

510001QP	57
510001WP	57
510002LP	57
510002QP	57
510002WP	57
Card Insert Overlay	
511548	25
Card Reader	
512473	23
Card Reader and Bracket Assembly	
510068P	25
Card Reader Bracket	
510045	25
Card Reader Instruction Overlay	
38192	23
Card Reader Kit	
875P3	23
Card Reader Overlay	
800230	25
Card Reader Shield	
801101	59
Caution Label	
500253	37
Central Pay Harness	
511478	27
Clean Lint Label	
502804	37
Clip	
201572	19
Coin Cabinet Hardware Kit	
547P3	57
Coin Drop	
38963P	17
70441601P	17
Coin Drop Assembly	
CK114	17
38462P	17
38463	17
38464P	17
38467	17
38472	17
38475	17
38519	17
38521	17
39157	17
70441602	17
70482401	17
Coin Drop Kit	
CK077	17
Coin Drop Wire Harness	
201104	19
Coin Funnel Kit	
523P3	9, 11
Coin Identification Paper	
38725	19
Coin Meter Drive	
M400754	29
Coin Slide Extension	
503455	11
Coin Slide Guard	
58181	9, 11

N/A items do not appear in index.

Combustion Duct	
510131	51
510132	51
Connector, 2 Circuit	
58799	65
Connector, 3 Circuit	
58800	67
Contactora	
70323701P	59
Contactora Bracket	
511859	59
Control Assembly	
511867P	15, 27
513139P	9
Control Cabinet Bottom	
801777	27
Control Kit	
M411883P	15
M414050P	15
505905P	15
Control Overlay	
513147	7, 9
Control Panel and Bracket Assembly	
500228L	7, 9, 11
500228Q	7, 9, 11
500228W	7, 9, 11
510076B	15
510076W	15
512098W	27
Cylinder Assembly	
510265LG	45
510265WP	45
Cylinder Baffle	
510102LG	45
510102W	45
Cylinder Belt	
511255P	41
Cylinder Glide	
510188	45
Cylinder Glide Bracket	
510145	45
Cylinder Roller	
510708P	47
Cylinder Roller Bracket	
510100	47
Cylinder Seal Assembly	
510207P	45, 47

D

Damper	
58786	57
Diagnostic Wire Harness Assembly	
800680	27
Din Rail	
M412693	59
Directional Exhaust Kit	
528P3	57
Door and Liner Assembly	
511636QP	35
511636WP	35

Door Catch Assembly	
514113	37
Door Handle Wedge	
510129	31, 33
Door Liner Grill	
503870LG	33
503870W	33
Door Pull and Wedge Kit	
510103LP	31, 33
510103QP	31, 33
510103WP	31, 33
Door Strike	
510181	31, 33
Door Strike Mount	
510127	31, 33
Door Switch Bracket	
38087	21
Dryer Base	
513901	59
Dryer Door	
510013LP	31
510013QP	31
510013WP	31
510082LP	33
510082QP	33
510082WP	33
Dryer Door Assembly	
514114Q	33
514114W	33
Dryer Door Window	
503982P	33
Dual Overlay	
39073	21

E

Elbow Shut-Off Valve	
510205	53, 55
Electric Clearance Label	
511005	57
Electronic Coin Drop Assembly	
70294103P	19
70294104	19
70294105P	19
70294106	19
70294107	19
70294109	19
70294110	19
70294111	19
70294112	19
70294120	19
70294121	19
Electronic Coin Drop Kit	
CK099	19
CK100	19
CK101	19
CK103	19
CK106	19
CK108	19
CK109	19
CK110	19
CK113	19
CK115	19
CK120	19
CK121	19

N/A items do not appear in index.

Electronic Harness	
511792P.....	71, 75, 85, 87
511793P.....	71, 85
511794P.....	73, 75, 85, 87
511795P.....	73, 85
514094.....	77, 89
514096.....	77, 89
End Stop	
70121001.....	59
Exhaust Duct	
510137.....	57
Exhaust Warning Label	
500497.....	57
Expansion Clip	
70030501.....	27
Extractor Tool	
128P4.....	69
190P4.....	69

F

Fabric Selector Switch	
61512.....	7, 11
Felt Pad	
510189.....	45
Female Piggyback Terminal	
00361.....	65
Female Pin Terminal	
00117.....	67
00128.....	67
00130.....	67
Female Spade Terminal	
00112.....	65
00114.....	65
00115.....	65
00121.....	65
00124.....	65
00156.....	65
00189.....	65
00223.....	65
Female Tab Terminal	
00344.....	65
Female Terminal	
00188.....	69
00255.....	69
00256.....	69
Flexible Venting Kit	
521P3.....	57
Front Bulkhead Assembly	
510266P.....	45
Front Panel	
510066LP.....	37
510066QP.....	37
510066WP.....	37
Front Panel Assembly	
513781W.....	39
Front Panel Seal	
511056.....	37

G

Gas Clearance Label	
511004.....	57
Gas Valve Assembly	
502478P.....	55
510506P.....	53
60353P.....	53
Gas Valve Mounting Bracket	
510128.....	53, 55
Glass Door Window	
513910.....	35
Glide Kit	
RB170003.....	45
Graphic Overlay	
504117.....	15
504590.....	7, 11
505382.....	15
510064.....	15
510074.....	15
513249.....	27
Grounding Clip	
00161.....	65

H

Harness	
512501.....	23
Harness Assembly	
511327.....	59
514084.....	77
514086.....	77
802904P.....	17
802905.....	17, 19
Harness Replacement Kit	
510647P.....	71
Harness Strap	
55881.....	67
Heat Duct Shroud	
510101.....	51
Heater Assembly	
510324P.....	49
510326P.....	49
510327P.....	49
510329P.....	49
510330P.....	49
Heater Duct and Screw Assembly	
510025P.....	49, 51
Heater Kit	
964P3.....	49
965P3.....	49
Heater Kit Assembly	
61927.....	49
61929.....	49
61930.....	49
Hinge	
511036.....	31, 33
Hinge Hole Plug	
510186.....	37
Hold Down Kit	
526P3.....	59

N/A items do not appear in index.

Housing, 10 Position	
500338	69

I

Idler Lever	
510133	41
Idler Lever and Wheel Assembly	
510158	41
Idler Spring	
510185	41
Idler Wheel and Bearing Assembly	
510142P	41
Igniter and Bracket Assembly	
510184P	53
Igniter And Sensor Assembly	
502995P	55
Igniter Control	
502994P	55
Ignition Control Bracket	
502425	55
Instruction Label	
511903	37
Insulated Female Spade Terminal	
00359	65
00360	67
Insulated Female Terminal	
00165	65

J

Jumper Assembly	
513246P	85, 87, 89
Jumper Configuration Assembly	
M413507	13, 27

K

Key	
54612	7, 9, 11, 15

L

Label	
513372	57
Lead-In Cord	
512019	63
513329	63
59373	63
Lead-In Cord Assembly	
503597	63
Lead-In Cord Kit	
61605P	63
Lead-In Pipe Assembly	
510204	53, 55
Left Control Cabinet Side	
800900WP	27
Leveling Leg	
510135	59

N/A items do not appear in index.

Light	
32464	7, 11
32519	7
801431	9
Limit Thermostat	
510701	49
510702	51
Liner and Seal Assembly	
510098LG	33
510098W	33
Liner Door Seal	
510147P	31, 33
Liner, Seal and Grill Assembly	
510163WP	31
513109P	31
Lint Filter	
503980LG	45
503980W	45
Lock Cam	
27261	7, 9, 11, 15
Lock Kit	
27260P	7, 9, 11, 15
Lower Wire Harness Assembly	
510435	73
L.P. Conversion Kit	
458P3	53, 55
600P3	53

M

Main and Redundant Coil	
502423A	55
Male Pin Terminal	
00116	67
00127	67
00129	67
Male Tab Terminal	
00139	65
Manual Reset Thermostat	
M411941	43
Motor and Pulley Assembly	
505843P	41
505869P	41
511629P	41
Motor Hub Ring Kit	
590P3	41
Motor Mount	
510060	41
Motor Mount Clamp	
510180	41
Motor Pulley	
500011	41
500222	41
Mounting Tool Kit	
CK096	19

N

Nameplate Overlay	
803323	37

Nut	
201216	19
24205	7, 9, 11
28447	47
29786	17
29796	9, 11
44071201	35
52566	41
52947	7, 9, 11
56156	41, 47
80077	11, 21
800931	27
N.G. Conversion Kit	
459P3	53, 55

O

Outlet Cover	
500820	49, 51
Overlay	
201091	21
502655	11
502927	7
505381	11
511428	15
511430	15
511485	15
512493	7, 9
512494	9
512678	7, 9
513250	15
513546	15

P

Panel Locator	
56079	37, 57
Plug	
23040	67
54522	65
Plug, 1 Circuit	
26302	65
Plug, 2 Circuit	
56266	67
56448	67
Plug, 6 Circuit	
23041	65
Plug, 9 Circuit	
23033	65
Porcelain Touch-Up Paint	
122P4P	57
215P4P	57
370P4P	57
Power Cord Assembly	
505945	63
506081	63
57397	63
58992	63
Power Supply	
512496	23
Power Wire Harness Assembly	
512890P	85, 87

Programming Card	
512499P	23

R

Ratchet Extension Tool	
310P4	69
Ratchet Wheel	
53239	29
Rear Bulkhead Assembly	
511082P	47
Rear Control Cabinet	
801058	27
Receptacle Housing	
90789	65
Receptacle, 1 Circuit	
26301	65
Receptacle, 10 Circuit	
34596	65
Receptacle, 12 Circuit	
501333	65
56855	65
Receptacle, 2 Circuit	
56265	67
56451	67
Receptacle, 3 Circuit	
23039	67
36170	65
Receptacle, 6 Circuit	
26708	65
Receptacle, 9 Circuit	
26163	65
Resistor	
210100	9, 13, 27
Retaining Ring	
23748	41, 47
Right Control Cabinet Side	
800915W	27
Ring Terminal	
00110	65
00111	65
Roller Kit	
RB170002	47
Rubber Foot	
501855	59

S

Screw	
03203	11
20530	63
23008	27
23222	49, 53
27328	7, 9
28448	47
31260	41
33562	9, 11, 37
36048	61
39733	37, 57
500226	33
500824	41
501285	45, 47

N/A items do not appear in index.

501524	15
502431	7, 9, 11, 21, 23, 25
502535	43, 55
503661	9, 61
503688	7, 9, 11, 13, 21, 23, 25, 27, 37, 41, 45, 47, 49, 51, 53, 55, 57, 61
505295	31, 33, 45
505870	33
51782	9, 51, 53, 55
52864	45
56124	53, 55
61199	47
62588	45
62853	37
70240301	27
800930	27
Seal Kit	
RB170001	45, 47
Secondary Coil	
58804B	53
59063B	53
Security Cabinet Front	
500225LP	7
500225QP	7
500225WP	7
Security Cabinet Front Assembly	
503428W	23
505227W	23
511208L	25
511208Q	25
511208W	25
511522LP	9, 11
511522QP	9, 11
511522WP	9, 11
511632B	21
511632L	21
511632Q	21
511632WP	21
Security Cabinet Harness	
511823P	81
Security Cabinet Harness Assembly	
510626	71
Security Cabinet Wire Harness Assembly	
510654P	71, 75, 77
510655P	71
511765	71
Sensor	
510213	53
Shaft	
56461P	41, 47
Shield	
56751	11
Single Drop Overlay	
803476	21
Single Overlay	
38717	21
Slide Extension Kit	
201915	9
Spade Terminal	
00245	65
Speed Clip	
28835	37
Spring	
53261	29
Strain Relief	
38384	63

502500	63
52113	63
Strain Relief Adapter	
502496	63
Switch	
201952	9
512973	13, 21, 37
Switch Assembly	
55882	7, 9, 11
Switch Knob	
39897	7, 9, 11
Switch Mount Assembly	
201917P	9

T

Temperature Selector Switch	
511711	9
Terminal	
00252	65
00347	65
Terminal Block Assembly	
510190P	47
Terminal Block Shield	
510237	47
Terminal Extractor Tool	
283P4	69
Thermal Fuse Assembly	
511412	49
Thermistor Assembly	
502366	43
510523	43
Thermostat	
504515	43
510703	51
511887	43
512005	43
Timer	
510525P	7
511985	7
Timer Bracket	
503017	11
Timer Knob	
54678	7
Timer Motor	
512017P	29
Timer Overlay	
500814	7
Timing Cam	
53240	29
53241	29
53242	29
53243	29
Top Hinge	
510136	61
Top Kit	
510032LP	61
510032QP	61
510032WP	61
Torx Bit	
281P4	69
282P4	69
292P4	69

N/A items do not appear in index.

Torx Drive Tool	
93501	69
Transformer	
201375P	13, 19
201587P	9
201616	9
210018P	13
803527P	13, 27
Transformer Kit	
511658P	59

U

Upper Harness Assembly	
510445P	71

V

Valve Assembly	
60443P	53

W

Warning Label	
502825	37
512263	37
514226	37
Warning/Caution Label	
500281	37
Washer	
03815	9
25820	7, 9, 11
28449	47
501307	61
504082	47
52549	41, 47
91176	7, 9, 11
Window Clip	
513958	35
Window Trim	
503981L	35
503981Q	35
503981W	35
513960Q	35
513960W	35
Wire Assembly	
510527	49
510528	49
Wire Clip	
504034	67
687500	67
Wire Configuration Assembly	
512273P	85, 87, 89
512275P	85, 87, 89
Wire Guard	
201595P	17
Wire Harness	
512913	71
512915	73
Wire Harness Assembly	
510440P	79, 83
510448	79

510449P	71
510450	79
510451	73
510468P	71, 75
510470	73
510489	79, 83
510490	79, 83
510498P	79, 83
511303	59
511314P	79, 83
511316	79, 83
511318P	79, 83
511321P	79, 83
511341	71
511343	73
511347	79, 83
511349	79, 83
511753	81
511755	81
511757	81
511761	71
511763	73
512142	71, 75, 77
512285	71, 85
512287	73, 85
512289	71, 85
512291	73, 85
512422P	85, 87, 89
512642	73, 85, 87
512643P	85
512644	71, 85, 87
512645	85
512660	73, 75
512892	85, 87
513270P	85
514080	89
514082	89
Wire Tie	
38663	67
Wire, 12 Gauge	
45380	71, 73, 75, 77, 79, 81, 83, 85, 87, 89
Wire, 18 Gauge	
45001	71, 73, 75, 77, 79, 81, 83, 85, 87, 89
Wrapper and Channel Assembly	
505753QP	7, 9, 11, 21, 23, 25
505753WP	7, 9, 11, 21, 23, 25

N/A items do not appear in index.

